



Bartell Morrison Inc.
375 Annagem Blvd.,
Mississauga, ON, Canada
L5T 2A7
Toll Free (N.A.): 1 866 501 1683
Local: +1 905 364 4200
Fax: +1 905 364 4201

PARTS MANUAL

SINGLE DIRECTION PLATE COMPACTORS

B300



**ORIGINAL
LANGUAGE**

Doc. # PB-B09030
Orig. Rel. - 02/2011
Curr. Rev. - 01
Rev. Date - 09/2011

Bartell Morrison Inc.
375 Annagem Blvd.
Mississauga, Ontario, Canada
L5T 3A7
Toll Free (N.A.): (866) 501-1683
Phone: (905) 364-4200
Facsimile: (905) 364-4201
www.bartellmorrison.com

Bartell Morrison (USA) LLC
12 Industrial Drive,
Keyport, New Jersey, USA
07735
Toll Free: 888-999-1570
Phone: (732) 566-5400
Facsimile: (732) 566-5444
www.bmiamerica.com

**ORIGINAL LANGUAGE PARTS MANUAL FOR
SINGLE DIRECTIONAL PLATE COMPACTOR**

© 2010 Bartell Morrison Inc.

No part of this work may be reproduced or transmitted in any form or by any means, electronic or mechanical, including photocopying and recording, or by any information storage or retrieval system without the prior written permission of Bartell Morrison Inc. unless such copying is permitted by federal copyright laws.

Address inquiries or reference permissions care of:

Bartell Morrison Inc.,
375 Annagem Blvd.,
Mississauga, Ontario,
Canada, L5T 3A7

Revision	Date	Description	Approved by.
00	02/2011	Initial release	RL
01	09/2011	60854 was 10508	RL

PARTS BOOK B300

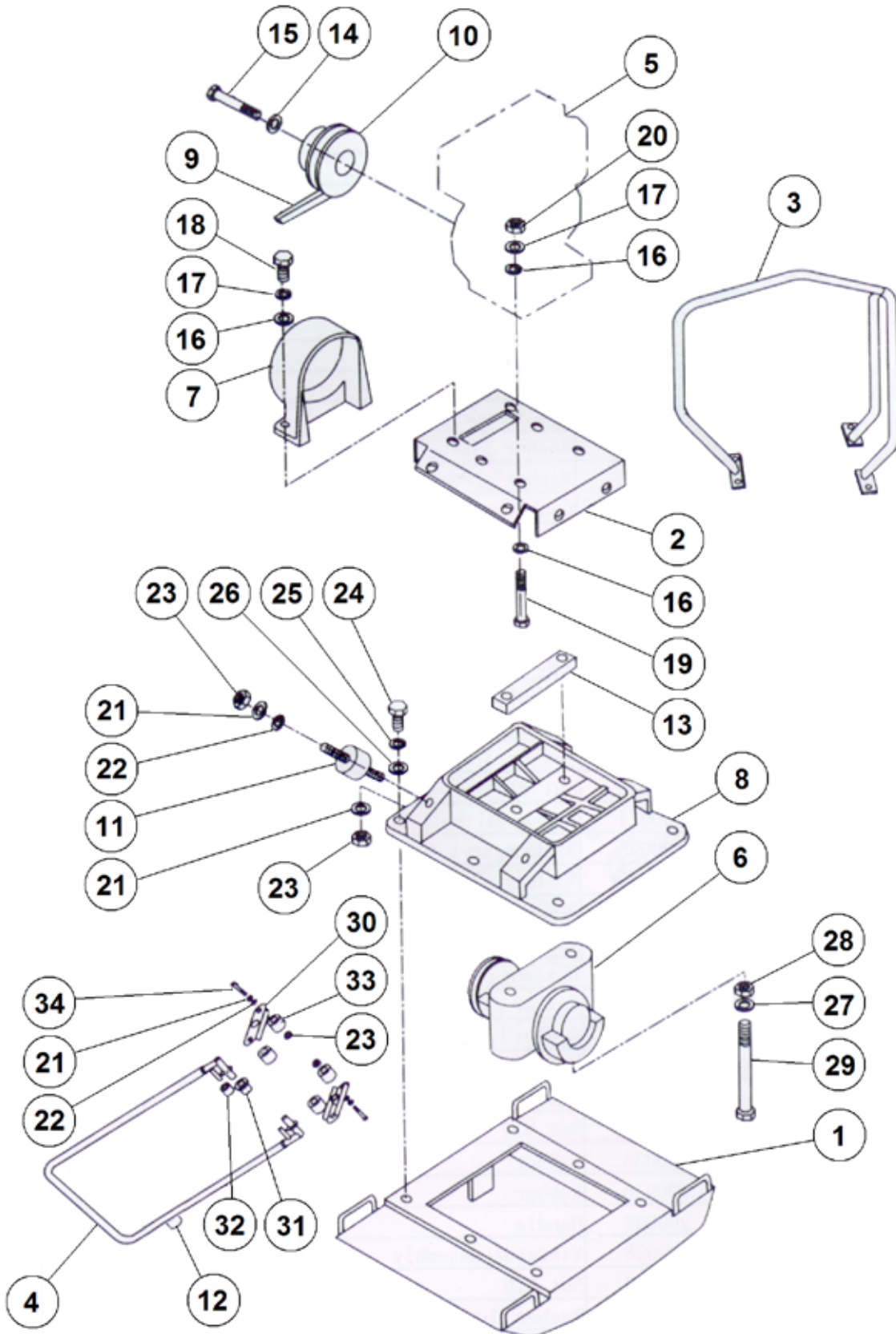
TABLE OF CONTENTS

- | | |
|---------------------|---|
| 1. GENERAL ASSEMBLY | 4 |
| 2. EXCITER ASSEMBLY | 6 |

PARTS LIST 1

B300

GENERAL ASSEMBLY



PARTS LIST 1

B300

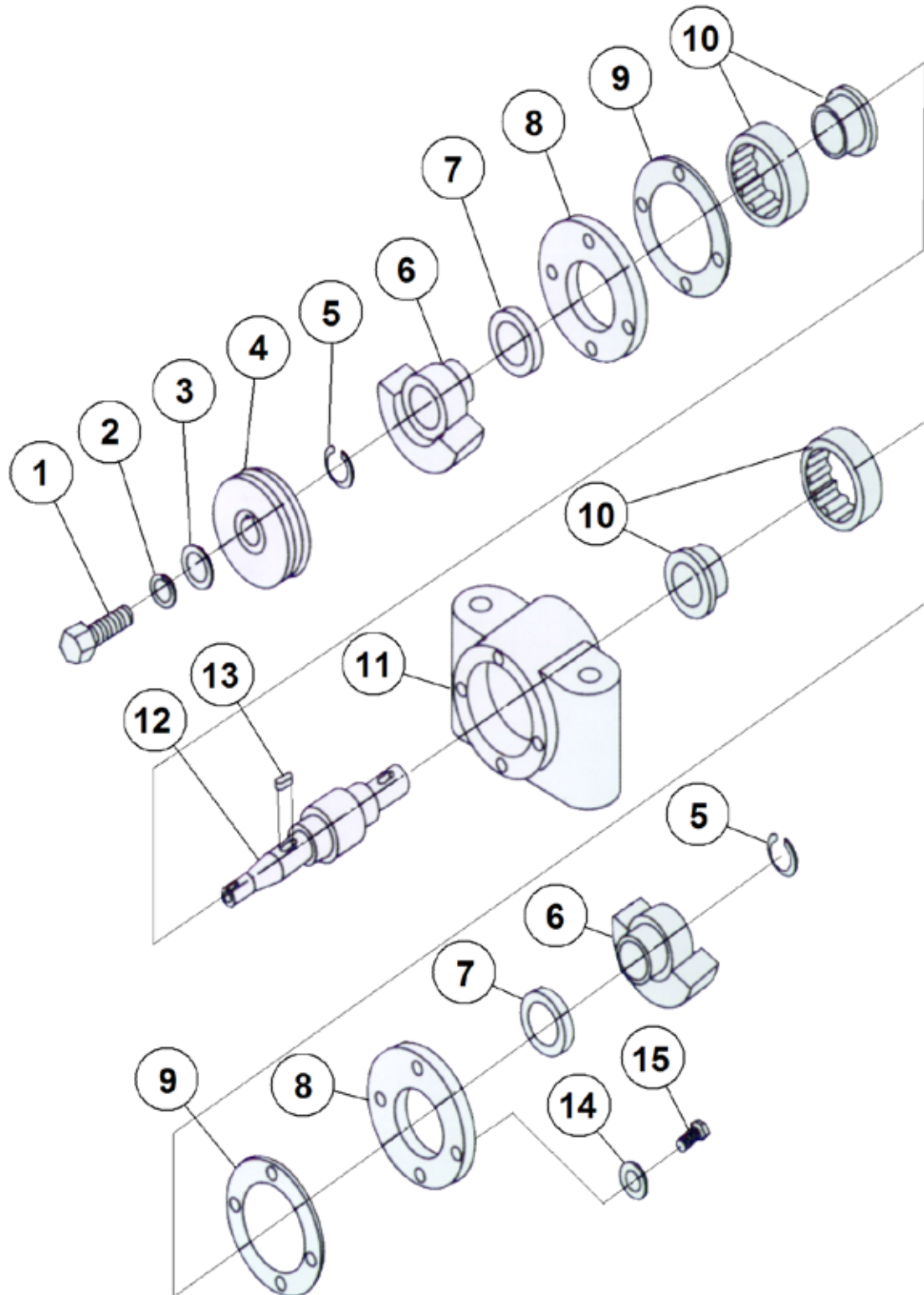
GENERAL ASSEMBLY

ITEM NO.	PART NO.	DESCRIPTION	QTY.	REMARK
1	60711	BASE PLATE, B300 COMPACTOR	1	rev 00 - 04/2011
2	60712	BRIDGE, B300 COMPACTOR	1	rev 00 - 04/2011
3	60713	LIFTING FRAME	1	GX160 VERSION
	60740	LIFTING FRAME	1	GC160/B&S 6.5
4	60710	CONTROL HANDLE, RIGID	1	rev 00 - 04/2011
5	21333	ENGINE, HONDA GX160	1	N20006
	21386	ENGINE, VANGUARD 6.5HP	1	N20005
	21388	ENGINE, HONDA GC160	1	N20011
6	60714	EXCITER ASSEMBLY	1	SEE PAGE 6
7	60716	BELT GUARD	1	rev 00 - 04/2011
8	60717	EXCITER SUPPORT PLATE	1	rev 00 - 04/2011
9	60718	DRIVE BELT	1	rev 00 - 04/2011
10	60719	CLUTCH ASSEMBLY	1	rev 00 - 04/2011
11	60720	ISOLATION MOUNT, RUBBER	4	rev 00 - 04/2011
12	60854	THROTTLE LEVER AND CABLE	1	rev 01 - 09/2011
13	60721	EXCITER MOUNT BEAM	1	rev 00 - 04/2011
14	30042	CLUTCH RETAINING WASHER	1	rev 00 - 04/2011
15	11256	FHSCS, 5/6" X 1"	1	rev 00 - 04/2011
16	11000	WASHER, FLAT, M8	10	rev 00 - 04/2011
17	10998	WASHER, LOCK, M8	6	rev 00 - 04/2011
18	10997	HHCS, M8 X 20MM	2	rev 00 - 04/2011
19	10452	HHCS, M8 X 40MM	4	rev 00 - 04/2011
20	11615	NUT, HEX, M8	4	rev 00 - 04/2011
21	11621	WASHER, LOCK, M10	12	rev 00 - 04/2011
22	10111	WASHER, FLAT, M10	12	rev 00 - 04/2011
23	60835	NUT, LOCK, M10	12	rev 00 - 04/2011
24	51032	HHCS, M12 X 45MM	6	rev 00 - 04/2011
25	10735	WASHER, LOCK, M12	6	rev 00 - 04/2011
26	10993	WASHER, FLAT, M12	6	rev 00 - 04/2011
27	60832	WASHER, LOCK, M16	2	rev 00 - 04/2011
28	60728	NUT, HEX, M16	2	rev 00 - 04/2011
29	60729	HHCS, M16 X 150MM	2	rev 00 - 04/2011
30	60722	PLATE, HANDLE MOUNT	2	rev 00 - 04/2011
31	60724	HANDLE BUSHING, RUBBER	2	rev 00 - 04/2011
32	60725	HANDLE STOPPER, RUBBER	2	rev 00 - 04/2011
33	60723	HANDLE MOUNT, RUBBER	4	rev 00 - 04/2011
34	60726	HHCS, M10 X 80MM	4	rev 00 - 04/2011

PARTS LIST 2

B300

EXCITER ASSEMBLY



PARTS LIST 2

B300

EXCITER ASSEMBLY

ITEM NO.	PART NO.	DESCRIPTION	QTY.	REMARK
1	60732	HHCS, M8 X 15MM	1	
2	10998	WASHER, LOCK, M8	1	
3	11000	WASHER, FLAT, M8	1	
4	60734	EXCITER PULLEY	1	
5	60743	CIRCLIP, EXCITER SHAFT	2	
6	60735	ECCENTRIC WEIGHT	2	
7	60742	GREASE SEAL	2	
8	60738	HOUSING COVER	2	
9	60739	COVER GASKET	2	
10	60733	EXCITER BEARING	2	
11	60736	EXCITER HOUSING	1	
12	60737	EXCITER SHAFT	1	
13	11638	KEY, ECCENTRIC WEIGHT	2	
14	14448	WASHER, LOCK, M6	8	
15	60731	SHCS, M6 X 20MM	8	



BARTELL MORRISON INC.

375 Annagem Blvd.
Mississauga, Ontario, Canada
L5T3A7

Toll Free: 866-501-1683

Local: 905-364-4200

Fax: 905-364-4202

www.bartellmorrison.com

BARTELL MORRISON (USA) LLC.

12 Industrial Drive.
Keyport, New Jersey, USA
07735

Toll Free: 888-999-1570

Local: 732-566-5400

Fax: 732-566-5444

www.bmiamerica.com

