



POWER SPRAYER

MODEL S151/S201

ASSEMBLY DRAWINGS AND PARTS CATALOGUE

Use this guide along with the parts lists attached to locate and identify components of your sprayer. When ordering replacement parts, be sure to provide the serial number from the sprayer.



BARTELL MORRISON INC. BARTELL MORRISON (USA) LLC
375 ANNAGEM BLVD, MISSISSAUGA, ONTARIO, CANADA, L5T 3A7, 905-364-4200 FAX 905-364-4201
12 INDUSTRIAL DRIVE, KEYPORT, NEW JERSEY, USA, 07735, 732-566-5400 FAX 732-5444

Doc. # PB – M09205
Orig. Rel. – 07/2008
Curr. Rev. – 05
Rev. Date – 05/2011

Bartell Morrison Inc.

375 Annagem Blvd.
Mississauga, Ontario, Canada
L5T 3A7

Toll Free (N.A.): (866) 501-1683
Phone: (905) 364-4200
Facsimile: (905) 364-4201

ORIGINAL LANGUAGE OPERATING INSTRUCTIONS FOR
MORRISON POWER SPRAYERS © 2008 BY
BARTELL MORRISON INC.
ALL RIGHTS RESERVED.

No part of this work may be reproduced or transmitted in any form or by any means, electronic or mechanical, including photocopying and recording, or by any information storage or retrieval system without the prior written permission of Bartell Morrison Inc. unless such copying is permitted by federal copyright laws.

Address inquiries or reference permissions care of:
Bartell Morrison Inc., 375 Annagem Blvd., Mississauga,
Ontario, Canada, L5T 3A7

Revision	Rev. Date	Details	Approved
0	05-08-2008	Initial document release	G.M.T.
1	07-15-2008	Update cover page. Update hand cart. Page 5- p/n 742466 was 142466.	A.L.
2	12-14-2008	Add optional lengths hose part numbers 560071 to 560073, to page 8.	
3	08-17-2009	Relocation	D.M.
4	12-21-2010	Layout	R.L.
5	05-04-2011	Update S201 and add S151 Sprayer	A.L.

BARTELL MORRISON INC. BARTELL MORRISON (USA) LLC
375 ANNAGEM BLVD, MISSISSAUGA, ONTARIO, CANADA, L5T 3A7, 905-364-4200 FAX 905-364-4201
12 INDUSTRIAL DRIVE, KEYPORT, NEW JERSEY, USA, 07735, 732-566-5400 FAX 732-566-5444

Created: 05/08
Revised: 05/11

TABLE OF CONTENTS:

S151 POWER SPRAYER ASSEMBLY----- 4

S151 POWER SPRAYER PUMP ASSEMBLY ----- 6

S201 POWER SPRAYER ASSEMBLY----- 8

S201 POWER SPRAYER PUMP ASSEMBLY----- 10

SPRAY WAND W/ HOSE ASSEMBLY ----- 12

SUCTION TUBE W/ HOSE ASSEMBLY ----- 13

RETURN TUBE W/ HOSE ASSEMBLY ----- 14

HAND CART ASSEMBLY ----- 15

TOW CART ASSEMBLY ----- 16

CE DECLARATION OF CONFORMITY ----- 18

NOTES ----- 20

**POWER SPRAYER PUMP ASSEMBLY
S151**

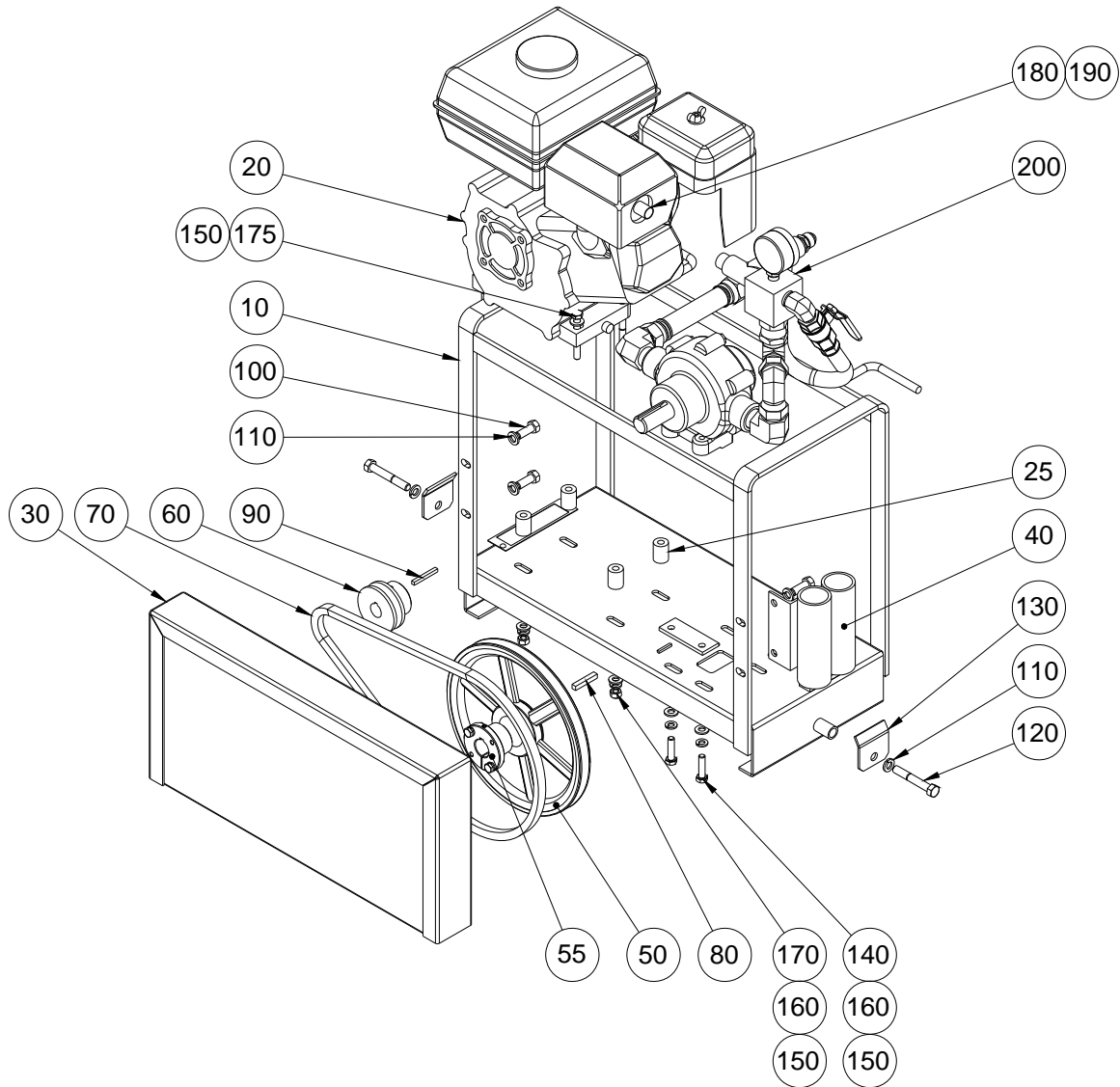


FIGURE 3: POWER SPRAYER ASSEMBLY

POWER SPRAYER PUMP ASSEMBLY
S151

ITEM NO.	PART NO.	DESCRIPTION	QTY	EFFECT. DATE	NOTES
10	570012	FRAME, POWER SPRAYER	1	07-16-2009	
20	21340	ENGINE, HONDA GX120	1	07-16-2009	
25	580093	SPACER, 1"	4	07-16-2009	
30	570027	BELT GUARD, SPRAYER	1	12-07-2010	
40	570017	SUPPORT TUBES	1	07-16-2009	
50	580092	PULLEY W/ KEYWAY, LARGE	1	07-16-2009	
55	580096	BUSHING, PULLEY	1	07-16-2009	
60	50098	PULLEY W/ KEYWAY, SMALL	1	07-16-2009	
70	740474	V-BELT	1	07-16-2009	
80	12461	KEY, PUMP	1	07-16-2009	
90	470625	KEY, ENGINE	1	07-16-2009	
100	10507	HHCS, 3/16"-16 X 1" LG.	4	07-16-2009	
110	10902	WASHER, LOCK, 3/16"	4	07-16-2009	
120	10506	HHCS, 3/16"-16 X 2-1/2" LG.	2	07-16-2009	
130	580075	TAB, HOLD DOWN	2	07-16-2009	
140	10407	HHCS, 5/16"-18 X 1-1/4" LG.	4	07-16-2009	
150	11586	WASHER, FLAT, 5/16"	8	07-16-2009	
160	10402	WASHER, LOCK, 5/16"	6	07-16-2009	
170	10915	NUT, HEX, 5/16"-18	4	07-16-2009	
180	11112	MUFFLER CAP	1	07-16-2009	
190	11115	SCREW, MUFFLER CAP	2	07-16-2009	
200	N/A	PUMP SUBASSEMBLY, SEE PG. 10	1	07-16-2009	SEE PG. 10

**POWER SPRAYER PUMP ASSEMBLY
S151 SUBASSEMBLY**

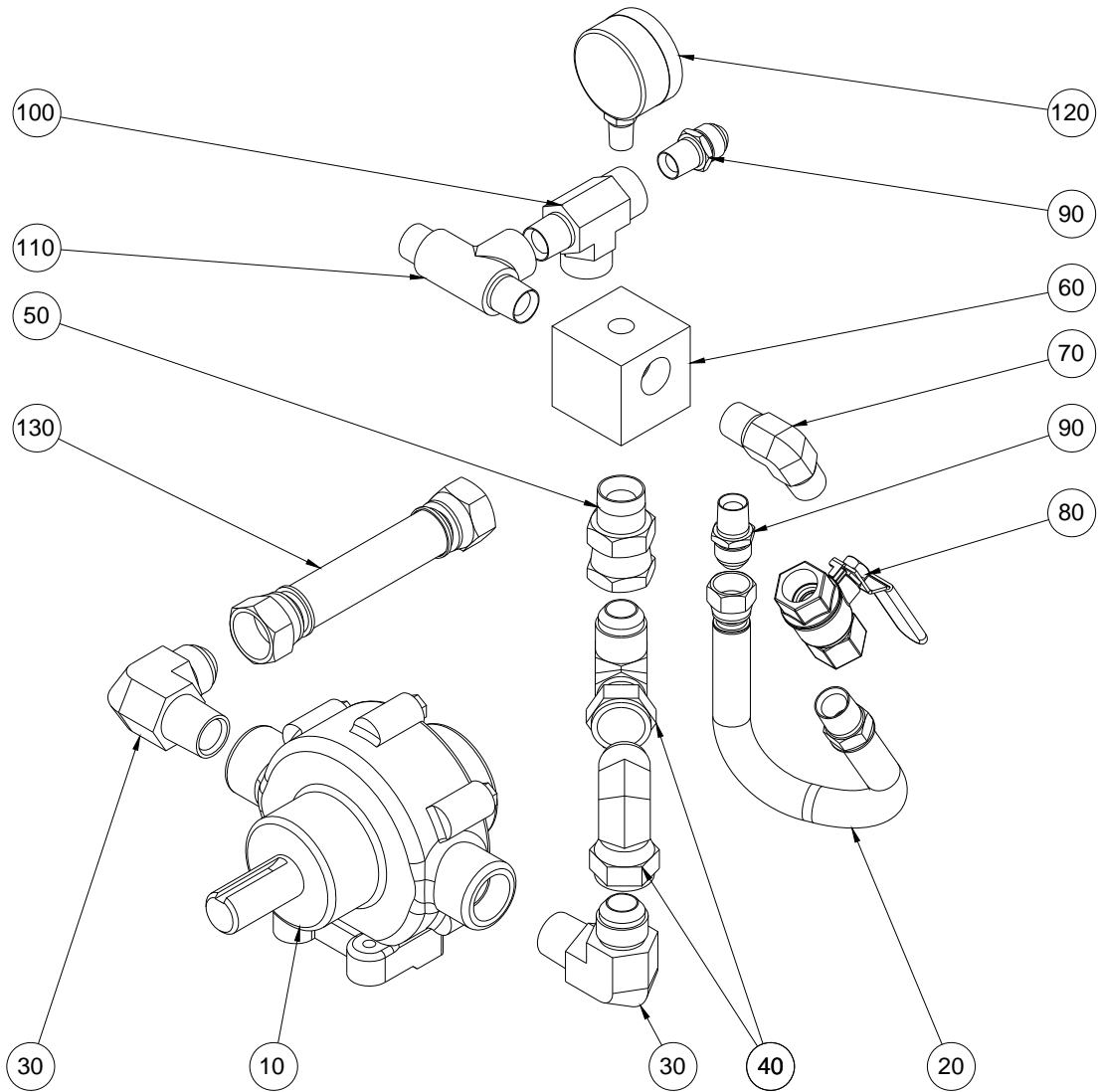


FIGURE 4: PUMP SECTION SUBASSEMBLY

POWER SPRAYER PUMP ASSEMBLY
S151 SUBASSEMBLY

ITEM NO.	PART NO.	DESCRIPTION	QTY	EFFECT. DATE	NOTES
10	760102	PUMP, HYPRO 7560	1	07-16-2009	
20	560035	HOSE, BYPASS	1	07-16-2009	
30	897317	FITTING, ELBOW, 3/4" MT TO 3/4" MP	1	07-16-2009	
40	897318	SWIVEL, ELBOW, 3/4" FT TO 3/4" MP	2	07-16-2009	
50	897530	FITTING, SWIVEL, 3/4"MP TO 3/4"FT	1	07-16-2009	
60	580080	MANIFOLD, VALVE BLOCK	1	07-16-2009	
70	897745	ELBOW, 1/2" MP TO 1/2" MP	1	07-16-2009	
80	897765	BALL VALVE, 1/2" MP BRASS	1	07-16-2009	
90	897220	FITTING, 1/2" MT TO 1/2" MP	2	07-16-2009	
100	897445	RUN TEE, 1/2" MP TO 1/2" FP	1	07-16-2009	
110	897760	RELIEF VALVE, ADJUSTABLE	1	07-16-2009	
120	897820	GAUGE, 1/4" NPT, 200PSI	1	07-16-2009	
130	560036	HOSE, EXTENSION ADAPTER	1	07-16-2009	

BARTELL MORRISON INC. BARTELL MORRISON (USA) LLC
 375 ANNAGEM BLVD, MISSISSAUGA, ONTARIO, CANADA, L5T 3A7, 905-364-4200 FAX 905-364-4201
 12 INDUSTRIAL DRIVE, KEYPORT, NEW JERSEY, USA, 07735, 732-566-5400 FAX 732-566-5444

Created: 07/04
 Revised: 05/11

POWER SPRAYER ASSEMBLY S201

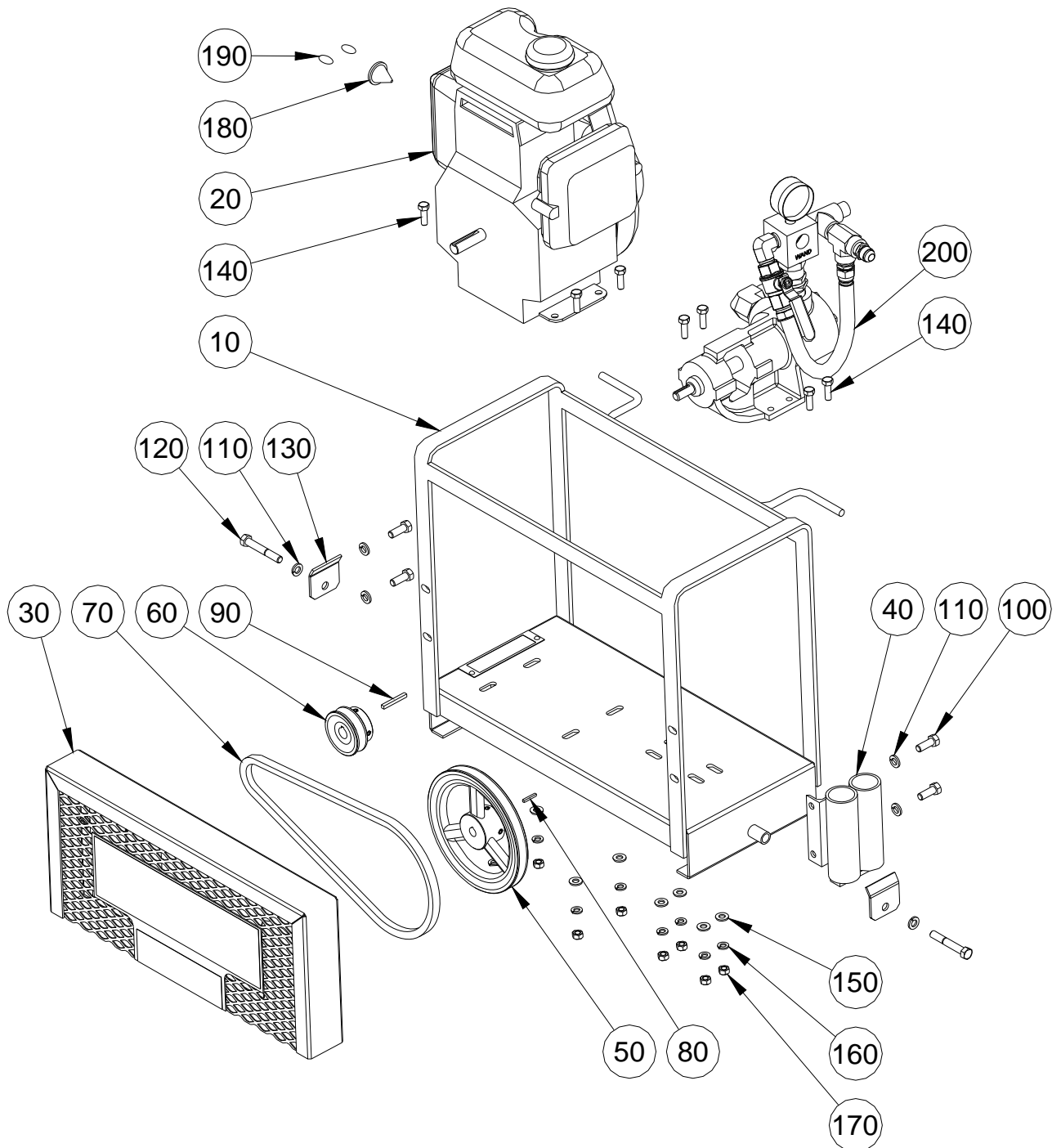


FIGURE 1: POWER SPRAYER ASSEMBLY

BARTELL MORRISON INC. BARTELL MORRISON (USA) LLC
 375 ANNAGEM BLVD, MISSISSAUGA, ONTARIO, CANADA, L5T 3A7, 905-364-4200 FAX 905-364-4201
 12 INDUSTRIAL DRIVE, KEYPORT, NEW JERSEY, USA, 07735, 732-566-5400 FAX 732-566-5444

Created: 05/08
 Revised: 05/11

POWER SPRAYER ASSEMBLY
S201

ITEM NO.	PART NO.	DESCRIPTION	QTY	EFFECT. DATE	NOTES
10	570012	FRAME, POWER SPRAYER	1	05-05-2008	
20	21340	ENGINE, HONDA GX120	1	09-03-2009	
30	570027	BELT GUARD, SPRAYER	1	12-07-2010	
40	570017	SUPPORT TUBES	1	12-07-2010	
50	580091	PULLEY W/ KEYWAY, LARGE	1	05-05-2008	
60	50098	PULLEY W/ KEYWAY, SMALL	1	09-03-2009	
70	740472	V-BELT	1	05-05-2008	
80	580085	KEY, PUMP	1	05-05-2008	
90	470625	KEY, ENGINE	1	05-05-2008	
100	10507	HHCS, 3/16"-16 X 1" LG.	4	05-05-2008	
110	10902	WASHER, LOCK, 3/16"	6	05-05-2008	
120	10506	HHCS, 3/16"-16 X 2-1/2" LG.	2	05-05-2008	
130	580075	TAB, HOLD DOWN	2	05-05-2008	
140	981035	HHCS, 5/16"-24 X 1" LG.	8	05-05-2008	
150	11586	WASHER, FLAT, 5/16"	8	05-05-2008	
160	10402	WASHER, LOCK, 5/16"	8	05-05-2008	
170	981055	NUT, HEX, 5/16"-24	8	05-05-2008	
180	11112	MUFFLER CAP	1	09-03-2009	
190	11115	SCREW, MUFFLER CAP	2	09-03-2009	
200	N/A	PUMP SUBASSEMBLY, SEE PG. 6	1	05-05-2008	SEE PG. 6

**POWER SPRAYER PUMP ASSEMBLY
S201 SUBASSEMBLY**

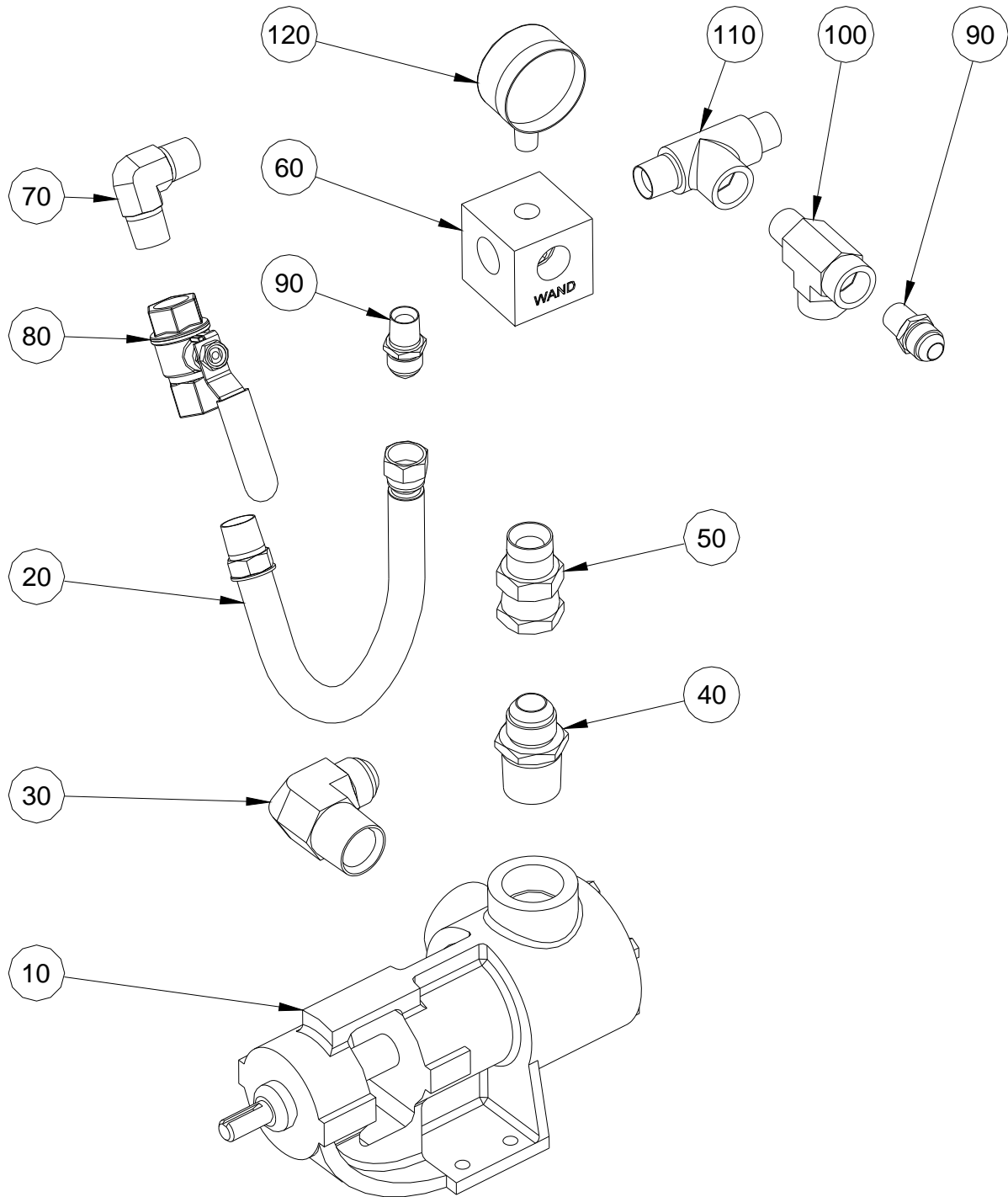


FIGURE 2: PUMP SECTION SUBASSEMBLY

BARTELL MORRISON INC. BARTELL MORRISON (USA) LLC
375 ANNAGEM BLVD, MISSISSAUGA, ONTARIO, CANADA, L5T 3A7, 905-364-4200 FAX 905-364-4201
12 INDUSTRIAL DRIVE, KEYPORT, NEW JERSEY, USA, 07735, 732-566-5400 FAX 732-566-5444

Created: 05/08
Revised: 05/11

POWER SPRAYER PUMP ASSEMBLY
S201 SUBASSEMBLY

ITEM NO.	PART NO.	DESCRIPTION	QTY	EFFECT. DATE	NOTES
10	760100	PUMP ASSEMBLY, VIKING	1	05-05-2008	
20	560035	HOSE, BYPASS	1	05-05-2008	
30	897311	ELBOW, 3/4" MT TO 1" MP	1	05-05-2008	
40	897310	FITTING, 3/4" MT TO 1" MP	1	05-05-2008	
50	897530	FITTING, SWIVEL, 3/4"MP TO 3/4"FT	1	05-05-2008	
60	580080	MANIFOLD, VALVE BLOCK	1	05-05-2008	
70	897745	ELBOW, 1/2" MP TO 1/2" MP	1	05-05-2008	
80	897765	BALL VALVE, 1/2" MP BRASS	1	05-05-2008	
90	897220	FITTING, 1/2" MT TO 1/2" MP	2	05-05-2008	
100	897445	RUN TEE, 1/2" MP TO 1/2" FP	1	05-05-2008	
110	897760	RELIEF VALVE, ADJUSTABLE	1	05-05-2008	
120	897820	GAUGE, 1/4" NPT, 200PSI	1	05-05-2008	

BARTELL MORRISON INC. BARTELL MORRISON (USA) LLC
 375 ANNAGEM BLVD, MISSISSAUGA, ONTARIO, CANADA, L5T 3A7, 905-364-4200 FAX 905-364-4201
 12 INDUSTRIAL DRIVE, KEYPORT, NEW JERSEY, USA, 07735, 732-566-5400 FAX 732-566-5444

Created: 07/04
 Revised: 05/11

SPRAY WAND W/ HOSE ASSEMBLY
S151 / S201 SUBASSEMBLY

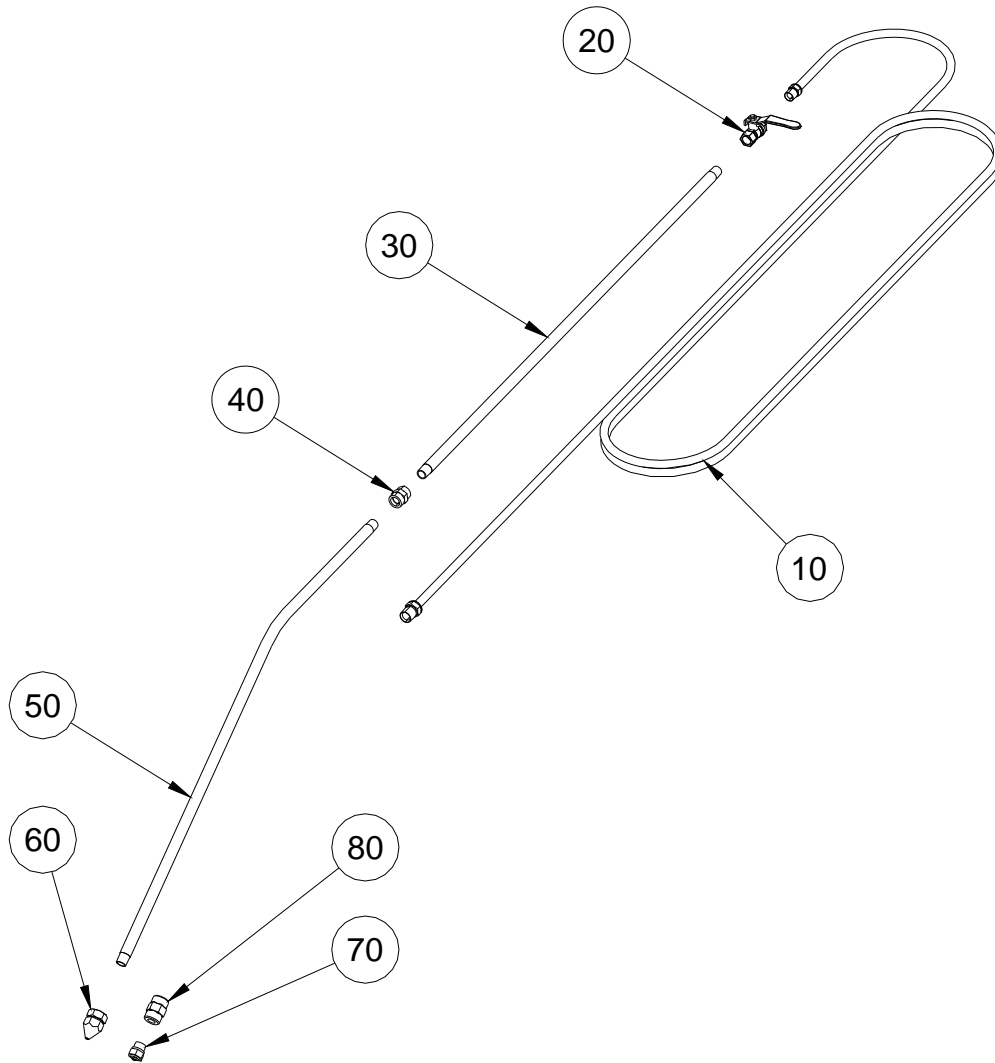


FIGURE 5: SPRAY WAND W/ HOSE ASSEMBLY

ITEM NO.	PART NO.	DESCRIPTION	QTY	EFFECT. DATE	NOTES
10	560070	HOSE, SPRAY WAND, 25 FT LG.	1	05-05-2008	
20	897645	BALL VALVE, 3/8" NPT, BRASS	1	05-05-2008	
30	580105	SPRAY WAND, STRAIGHT SECT.	1	05-05-2008	
40	891710	COUPLING, 3/8" FP	1	05-05-2008	
50	580110	SPRAY WAND, BENT SECTION	1	05-05-2008	
60	897565	SPRAY NOZZLE, CONE, ADJUST.	1	05-05-2008	
70	14493	NOZZLE, FLAT SPRAY	1	05-05-2008	OPTIONAL
80	14494	ADAPTER, FLAT SPRAY NOZZLE	1	05-05-2008	OPTIONAL
90	560071	HOSE, SPRAY WAND, 50 FT LG.	1	12-14-2008	OPTIONAL
100	560072	HOSE, SPRAY WAND, 75 FT LG.	1	12-14-2008	OPTIONAL
110	560073	HOSE, SPRAY WAND, 100 FT LG.	1	12-14-2008	OPTIONAL

BARTELL MORRISON INC. BARTELL MORRISON (USA) LLC
375 ANNAGEM BLVD, MISSISSAUGA, ONTARIO, CANADA, L5T 3A7, 905-364-4200 FAX 905-364-4201
12 INDUSTRIAL DRIVE, KEYPORT, NEW JERSEY, USA, 07735, 732-566-5400 FAX 732-566-5444

Created: 05/08
Revised: 05/11

SUCTION TUBE W/ HOSE ASSEMBLY
S151 / S201 SUBASSEMBLY

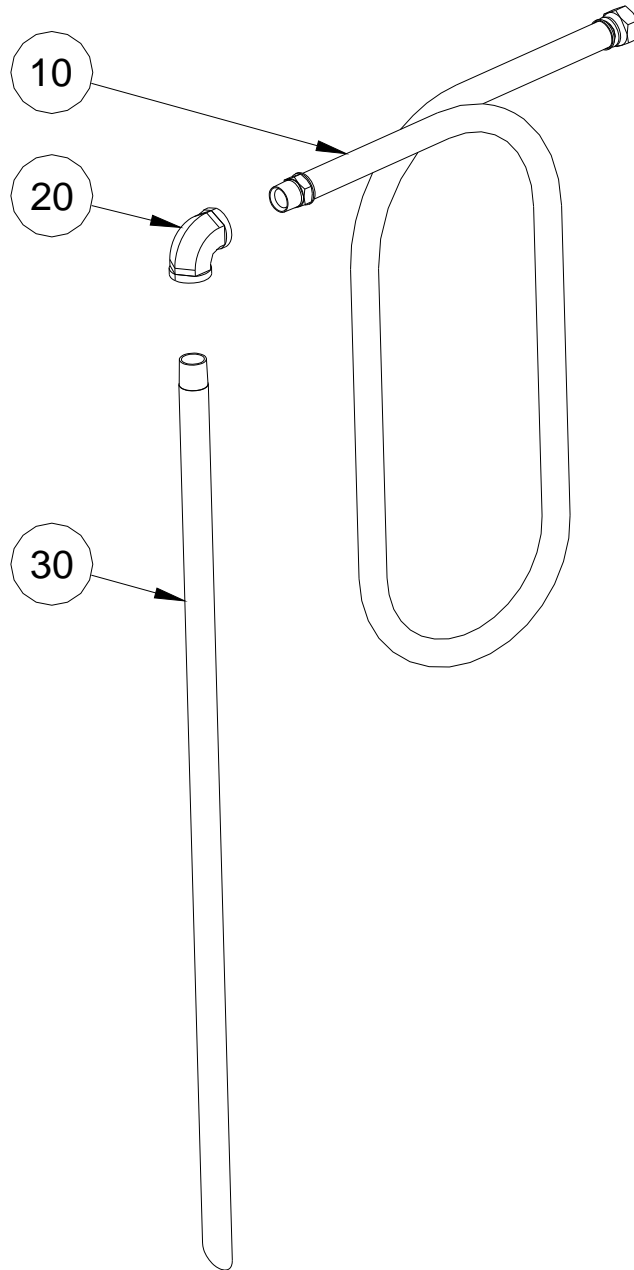


FIGURE 4: SUCTION TUBE W/ HOSE ASSEMBLY

ITEM NO.	PART NO.	DESCRIPTION	QTY	EFFECT. DATE	NOTES
10	560025	HOSE, SUCTION	1	05-05-2008	
20	897960	ELBOW, 3/4" FP BLACK	1	05-05-2008	
30	580095	TUBE, SUCTION	1	05-05-2008	

BARTELL MORRISON INC. BARTELL MORRISON (USA) LLC
 375 ANNAGEM BLVD, MISSISSAUGA, ONTARIO, CANADA, L5T 3A7, 905-364-4200 FAX 905-364-4201
 12 INDUSTRIAL DRIVE, KEYPORT, NEW JERSEY, USA, 07735, 732-566-5400 FAX 732-566-5444

Created: 07/04
 Revised: 05/11

RETURN TUBE W/ HOSE ASSEMBLY
S151 / S201 SUBASSEMBLY

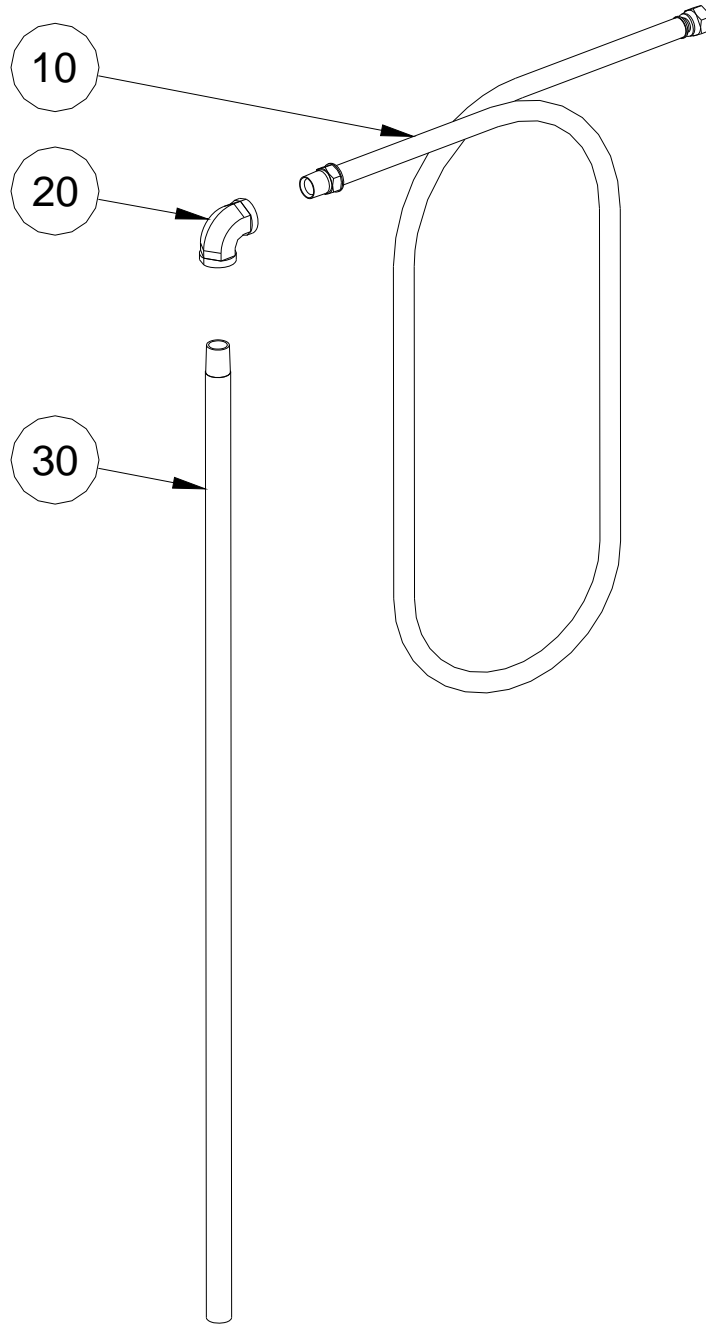


FIGURE 5: RETURN TUBE W/ HOSE ASSEMBLY

ITEM NO.	PART NO.	DESCRIPTION	QTY	EFFECT. DATE	NOTES
10	560030	HOSE, RETURN	1	05-05-2008	
20	892930	ELBOW, 1/2" FP BLACK	1	05-05-2008	
30	580100	TUBE, RETURN	1	05-05-2008	

BARTELL MORRISON INC. BARTELL MORRISON (USA) LLC
 375 ANNAGEM BLVD, MISSISSAUGA, ONTARIO, CANADA, L5T 3A7, 905-364-4200 FAX 905-364-4201
 12 INDUSTRIAL DRIVE, KEYPORT, NEW JERSEY, USA, 07735, 732-566-5400 FAX 732-566-5444

Created: 05/08
 Revised: 05/11

HAND CART ASSEMBLY
560060

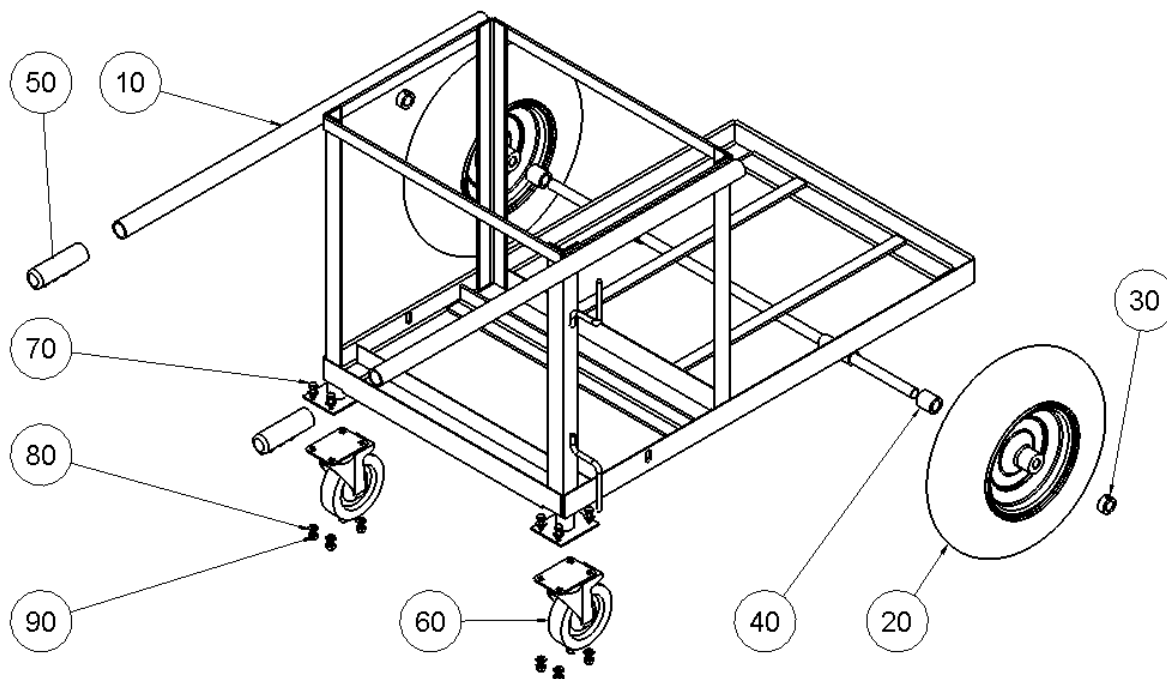


FIGURE 6: HAND CART ASSEMBLY

ITEM NO.	PART NO.	DESCRIPTION	QTY	EFFECT. DATE	NOTES
10	570030	HAND CART FRAME	1	05-05-2008	
20	13198	WHEEL, 16" PNEUMATIC	2	05-05-2008	
30	796065	LOCK COLLAR, WHEEL	2	05-05-2008	
40	188115	SPACER, WHEEL	2	05-05-2008	
50	796030	GRIP, HANDLE	2	05-05-2008	
60	570031	CASTER	2	07-15-2008	
70	981030	HHCS, 5/16-24 X 1" LG	8	07-15-2008	
80	11586	WASHER, FLAT, 5/16"	16	07-15-2008	
90	980360	LOCKNUT, 5/16-24, NYLON INSERT	8	07-15-2008	

BARTELL MORRISON INC. BARTELL MORRISON (USA) LLC
 375 ANNAGEM BLVD, MISSISSAUGA, ONTARIO, CANADA, L5T 3A7, 905-364-4200 FAX 905-364-4201
 12 INDUSTRIAL DRIVE, KEYPORT, NEW JERSEY, USA, 07735, 732-566-5400 FAX 732-566-5444

Created: 07/04
 Revised: 05/11

TOW CART ASSEMBLY
560065

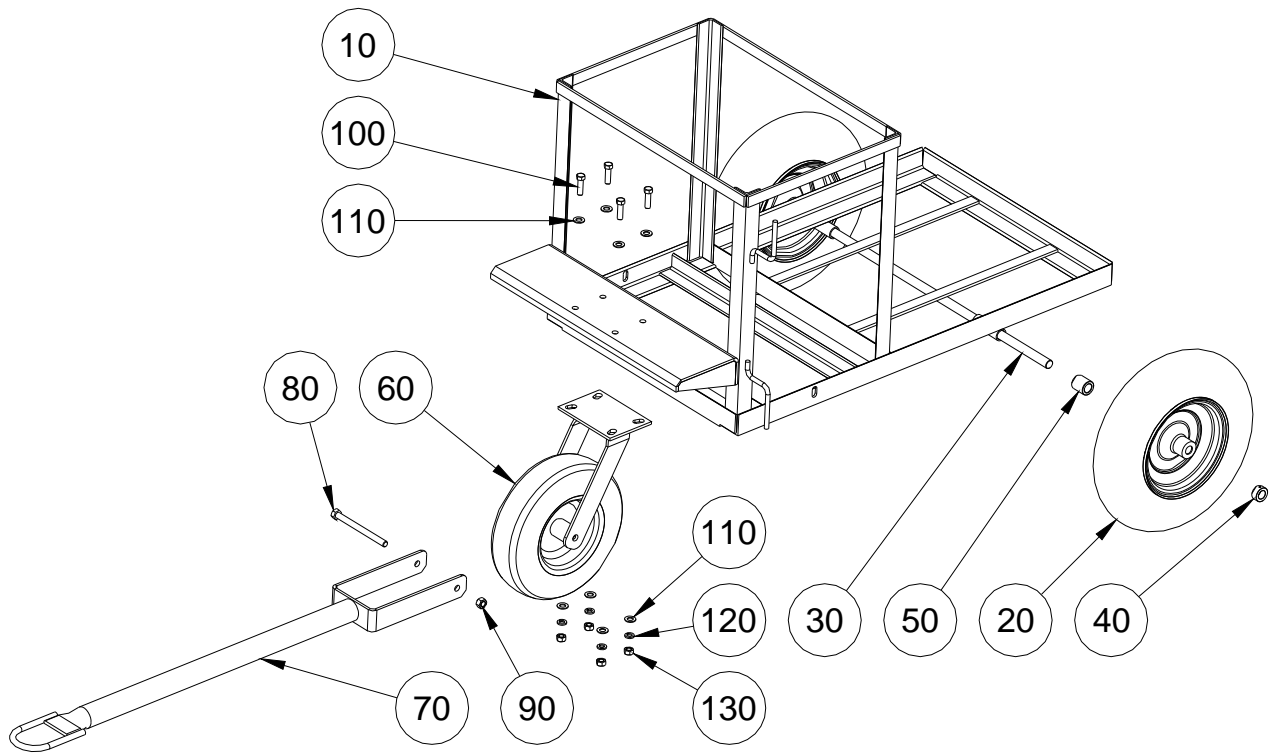


FIGURE 7: TOW CART ASSEMBLY

ITEM NO.	PART NO.	DESCRIPTION	QTY	EFFECT. DATE	NOTES
10	570035	FRAME, TOW CART	1	05-05-2008	
20	13198	WHEEL, 16" PNEUMATIC	2	05-05-2008	
30	580268	AXLE, HAND CART	1	05-05-2008	
40	796065	LOCK COLLAR, WHEEL	2	05-05-2008	
50	188115	SPACER, WHEEL	2	05-05-2008	
60	842035	FRONT WHEEL W/ CASTOR	1	05-05-2008	
70	570040	TOW BAR	1	05-05-2008	
80	13637	AXLE BOLT	1	05-05-2008	
90	13577	AXLE NUT	1	05-05-2008	
100	981050	HHCS, 7/16"-20 X 1-1/2" LG.	4	05-05-2008	
110	12930	WASHER, FLAT, 7/16"	8	05-05-2008	
120	990870	WASHER, LOCK, 7/16"	4	05-05-2008	
130	981060	NUT, HEX, 7/16"-20	4	05-05-2008	

BARTELL MORRISON INC. BARTELL MORRISON (USA) LLC
 375 ANNAGEM BLVD, MISSISSAUGA, ONTARIO, CANADA, L5T 3A7, 905-364-4200 FAX 905-364-4201
 12 INDUSTRIAL DRIVE, KEYPORT, NEW JERSEY, USA, 07735, 732-566-5400 FAX 732-566-5444

Created: 05/08
 Revised: 05/11

This page intentionally left blank

**Declaration of Conformity / Certificat de conformité / Gelijkvormigheids certificaat
Declaración de Conformidad/Declaração de Conformidade/Dichiarazione Di Conformita**

We: Bartell Morrison Inc.
375 Annagem Blvd.
Mississauga, Ontario, Canada
L5T 3A7
Tel: 905-364-4200 Fax: 905-364-4201

Declare under our sole responsibility that the product to which this declaration relates is in conformity with the following standard(s) or other normative documents.

Déclarons sous notre responsabilité que le produit cette déclaration est conforme aux normes suivantes ou d'autres documents habituels.

Verklaren onder onze verantwoordelijkheid dat het product naar welke de verklaring verwijst conform de volgende standaards of anders gebruikelijke documenten is.

Declaramos bajo nuestra única responsabilidad que el producto en lo que esta declaración concierne, es conforme con la siguiente normativa u otros documentos.

Declara sob sua responsabilidade que o produto a quem esta declaração interessar, está em conformidade com os seguintes documentos legais ou normas directivas.

Dichiariamo sotto la ns. unica responsabilità che il prodotto al quale questa dichiarazione si riferisce, è fabbricato in conformità ai seguenti standard e documenti di normative.

EN 349:1993	Safety of Machinery - Minimum gaps to avoid crushing of parts of the human body.
EN 418:1993	Safety of Machinery - Emergency stop equipment, functional aspects - Principles for design
EN 12100-1:2003	Safety of Machinery - Basic Concepts, general principles for design - Part 1: Basic Terminology, methodology
EN 12100-2:2003	Safety of Machinery - Basic Concepts, general principles for design - Part 2: Technical Principles
EN ISO 4872:1978	Acoustics - Measurement of Airborne noise emitted by construction equipment intended for outdoor use - Method for determining compliance with noise limits.
EN ISO 5349-1:2001	Mechanical vibration. Measurement and evaluation of human exposure to hand-transmitted vibration. General requirements
EN ISO 5349-2:2001	Mechanical vibration. Measurement and assessment of human exposure to hand-transmitted vibration. Practical guidance for measurement at the workplace.

Following the provisions of Directive(s):

Suivant les directive(s) déterminées:

Volgens de vastgestelde richtlijnen:

Siguiendo las directiva(s):

No seguimento das clausulas da Directiva(s):

Seguendo quanto indicato dalla Direttiva(s):

98/37/EC	Machinery Directive
2000/14/EC	Noise Directive
2001/95/EC	General Product Safety Directive
2002/95/EC	Reduction of Hazardous Waste Directive

Technical Characteristics:
 Caractéristiques techniques:
 Technisch gegevens:
 Características Técnicas:
 Características Técnicas:
 Qualitàs di tecnico:

Model Modèle Type Modelo Modelo Modello	Machine Serial Number Numéro de Série machine Serienummer machine Máquina número de série Numero de serie da maquina Numero di seria la macchina	Engine Serial Number Numéro de Série moteur Serienummer motor Motor número de série Numero de serie do motor Numero di seria la motore	Weight Masse Gewicht Masa Massa Massa
			Lbs (kg)
MORRISON POWER SPRAYER			95 (43)

Noise Level Puissance acoustique Geluidniveau Nivel Sonoro Nivel del Ruido Potenza Acustica	Pressure level Pression acoustique Geluidsdrkniveau Nivel Acustico Pressão Acústica Pressione Acustica	Vibration level Niveau de vibration Vibratieniveau Nivel de Vibracion Nivel de Vibração Livello di Vibrazione
Lwa (dB)	Lpa (Db)	a _{hv} (m/s ²)
98	99	1.5

The Technical Construction file is maintained at:

Les fiches techniques de construction sont gardées à:
 Het technische constructie document wordt bewaard te:
 El archivo técnico de construcción se mantiene en:
 O arquivo técnico de construção é mantido no (a):
 L'originale dossier tecnico di costruzione è conservato presso:

The authorized representative is:

Le représentant autorisé est:
 Gemachtigd vertegenwoordiger is:
 La representación autorizada es:
 O representante autorizado é:
 Il rappresentate autorizzato:

Signature of Authorized Person:

Signature de la personne autorisée:
 Handtekening van gemachtigd persoon:
 Firma de la persona autorizada:
 Assinatura de pessoa autorizada:
 Firma della persona autorizzata:

Typed name of Authorized Person:

Nom dactylographié de la personne autorisée:
 Getypte naam van gemachtigd persoon:
 Nombre de la persona autorizada:
 Nome datilografado da pessoa autorizada:
 Nome della persona autorizzata:

Title of Authorized Person:

Titre de la personne autorisée:
 Functie van gemachtigd persoon:

Date and Place of Issue:

Cargo de la persona autorizada:
 Data e lugar de emissão:
 Titolo da persona autorizada:
 Posizione della persona autorizzata:
 Data e lugar de emissão:
 Data e luogo di emissione:

**Bartell Morrison Inc.
 375 Annagem Blvd.
 Mississauga, Ontario, Canada
 L5T 3A7**

**Telephone: 905-364-4200
 Facsimile: 905-364-4201**

**Mr. Steve Adam
 International Sales Manager
 c.o. Bartell Morrison Europe
 Nijverheidsstraat 11
 1840 Londerzeel
 Belgium
 Telephone: +1 514 463 4838
 Facsimile: +1 514 697 4239**



Robert S. Leggitt

Manager - Engineering

09.01.2009

Mississauga, Ontario, Canada

BARTELL MORRISON INC. BARTELL MORRISON (USA) LLC
 375 ANNAGEM BLVD, MISSISSAUGA, ONTARIO, CANADA, L5T 3A7, 905-364-4200 FAX 905-364-4201
 12 INDUSTRIAL DRIVE, KEYPORT, NEW JERSEY, USA, 07735, 732-566-5400 FAX 732-566-5444

Created: 07/04
 Revised: 05/11

