



Bartell Morrison Inc.
375 Annagem Blvd.,
Mississauga, ON, Canada
L5T 2A7
Toll Free (N.A.): 1 866 501 1683
Local: +1 905 364 4200
Fax: +1 905 364 4201

PARTS

MANUAL

WALK-BEHIND

TROWEL

B436
B436E
B436SD



ORIGINAL
LANGUAGE

Doc. # PB-B09001
Orig. Rel. - 05/2010
Curr. Rev. - 01
Rev. Date - 02/2011

PARTS BOOK

WALK-BEHIND TROWELS

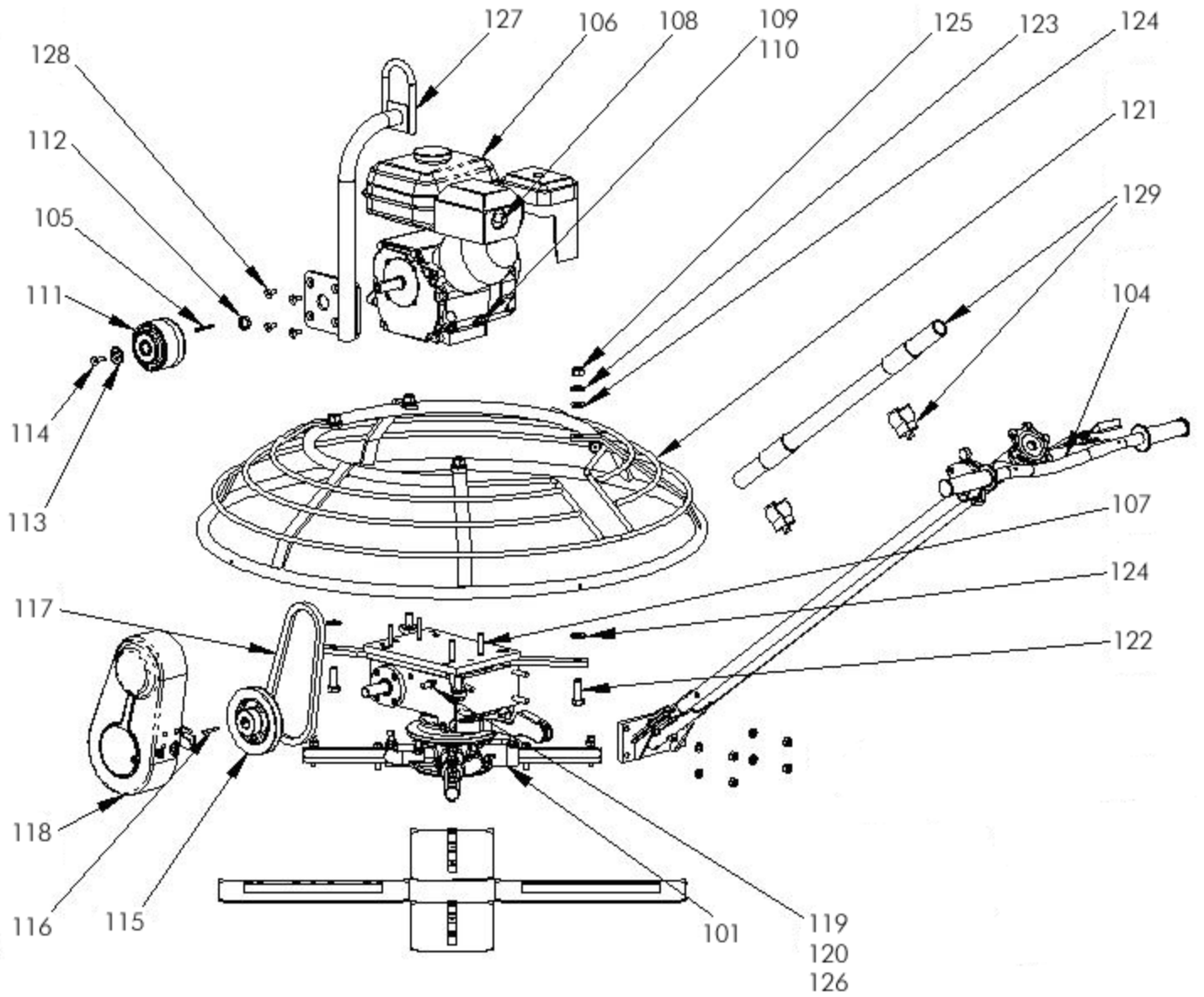
TABLE OF CONTENTS

1. GENERAL ASSEMBLY	4
2. BASE UNIT ASSEMBLY	6
3. HANDLE ASSEMBLY - FINE PITCH	8
4. HANDLE ASSEMBLY - INSTAPITCH	10
5. HANDLE ASSEMBLY - EUROPEAN	12
6. GEARBOX ASSEMBLY	14
7. SPIDER PLATE ASSEMBLY	18
8. PRESSURE PLATE ASSEMBLY	18

PARTS LIST 1

WALK-BEHIND TROWELS

GENERAL ASSEMBLY



PARTS LIST 1

WALK-BEHIND TROWELS

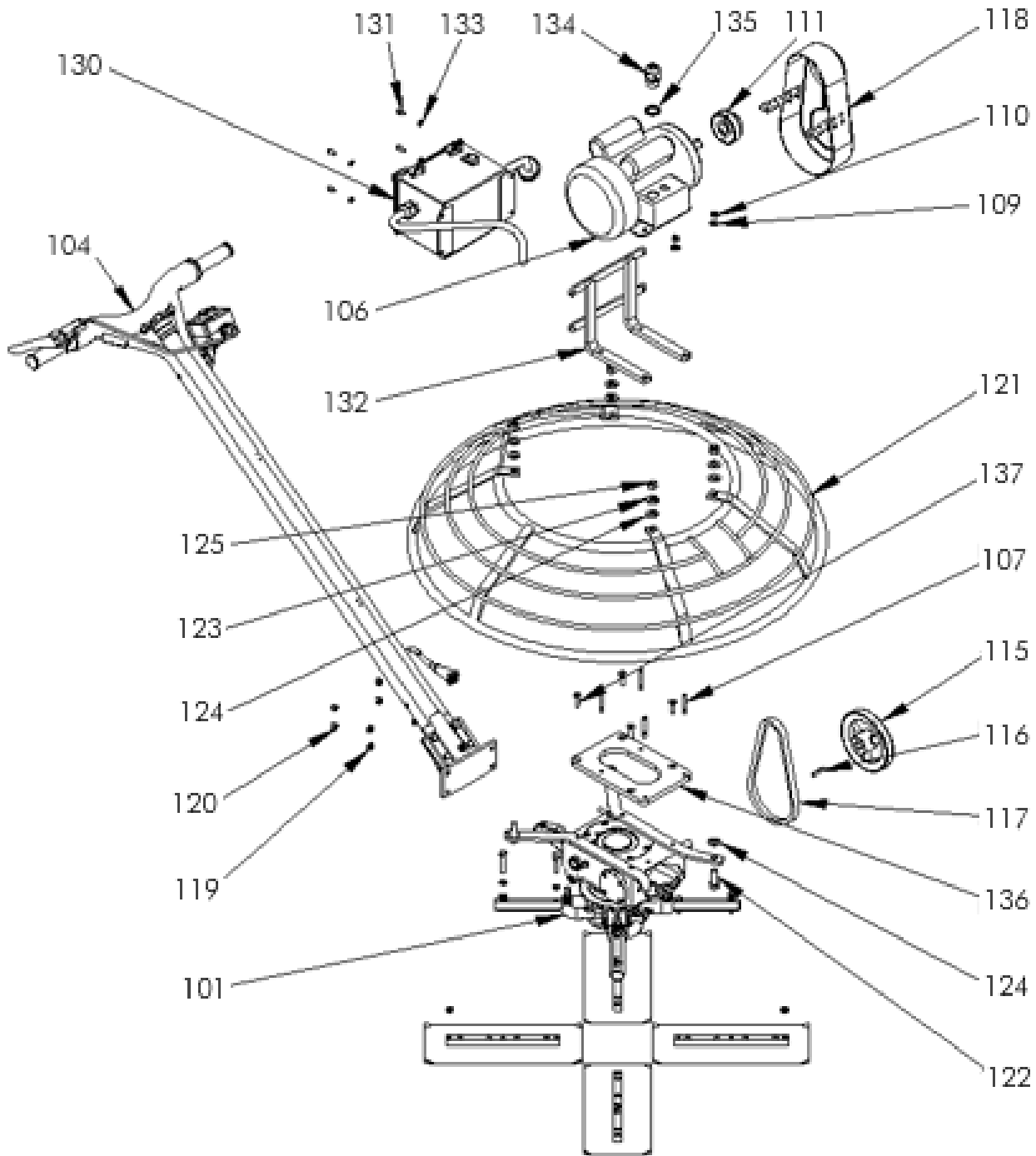
GENERAL ASSEMBLY - B436, B436SD

ITEM NO.	PART NO.	DESCRIPTION	QTY.	REMARK
101	N/A	BASE UNIT (SEE PARTS LIST 2)	1	6/8/2004
104	20520 20502 20601E 20507	HANDLE ASSEMBLY, FINE PITCH (SEE PARTS LIST 3) HANDLE ASSEMBLY, INSTAPITCH HANDLE ASSEMBLY, EUROPEAN SPEC. HANDLE ASSEMBLY, ELECTRIC	1	6/8/2004 6/8/2004 6/8/2004 11/15/2007
105	10206 (5.5 hp) 11003 (9 hp)	SQUARE KEY, 3/16" x 1 7/8" LG SQUARE KEY, 1/4" x 2" LG	1	8/16/2007
106	ENGINE	ENGINE	1	6/8/2004
107	14278 (5.5 hp) 14277 (9 hp)	STUD, ENGINE MOUNT	4	6/8/2004
108	11112	MUFFLER DEFLECTOR	1	8/21/2007
109	10402 (5.5 hp) 10902 (9 hp)	WASHER, LOCK, 5/16" WASHER, LOCK, 3/8"	4	6/8/2004
110	10915 (5.5 hp) 10901 (9 hp)	HEX NUT, 5/16"-18UNC, GRADE 5 HEX NUT, 3/8"-16UNC, GRADE 5	4	6/8/2004
111	21006 (5.5 hp) 21005 (9 hp)	CLUTCH, 3/4" BORE (SEE PARTS LIST 5) CLUTCH, 1" BORE	1	6/8/2004
112	11254 (5.5 hp) n/a (9 hp)	CLUTCH SPACER	1	6/8/2004
113	30042 (5.5 hp) n/a (9 hp)	CLUTCH RETAINER	1	8/16/2007
114	11256 (5.5 hp) n/a (9 hp)	SCREW, FLAT HEAD, 5/16"-24UNF x 1" LG	1	8/16/2007
115	14270 (5.5 hp) 14285 (9 hp)	SHEAVE	1	8/16/2007
116	10208	SQUARE KEY, 3/16" x 1 1/2" LG	1	6/8/2004
117	11030 (5.5 hp) 11047 (9 hp)	BELT, A25 BELT, B28	1	8/16/2007
118	21066 (5.5 hp) 21067 (9 hp)	BELT GUARD	1	8/16/2007
119	10902	WASHER, LOCK, 3/8"	1	6/8/2004
120	10901	HEX NUT, JAM, 3/8"-16UNC	1	6/8/2004
121	20447	GUARD RING	1	6/8/2004
122	10955	HHCS, M12-1.75 x 40MM LG	4	8/16/2007
123	50026	WASHER, FLAT, 1/2"	4	6/8/2004
124	11296	WASHER, RUBBER, 5/8"	8	6/8/2004
125	10956	NUT, NYLOCK, M12-1.75	4	6/8/2004
126	11029	STUD, 3/8"-16UNC x 1 3/4" LG	1	8/16/2007
127	20189 (5.5 hp) 20171 (9 hp)	HOIST HOOK (optional)	1	6/8/2004
128	30041	FSCS, 5/16"-24UNF x 3/4" LG (optional)	4	6/8/2004
129	20512	CARRY BAR ASSY (optional)	1	6/8/2004

PARTS LIST 1

WALK-BEHIND TROWELS

GENERAL ASSEMBLY - B436 ELECTRIC



PARTS LIST 1

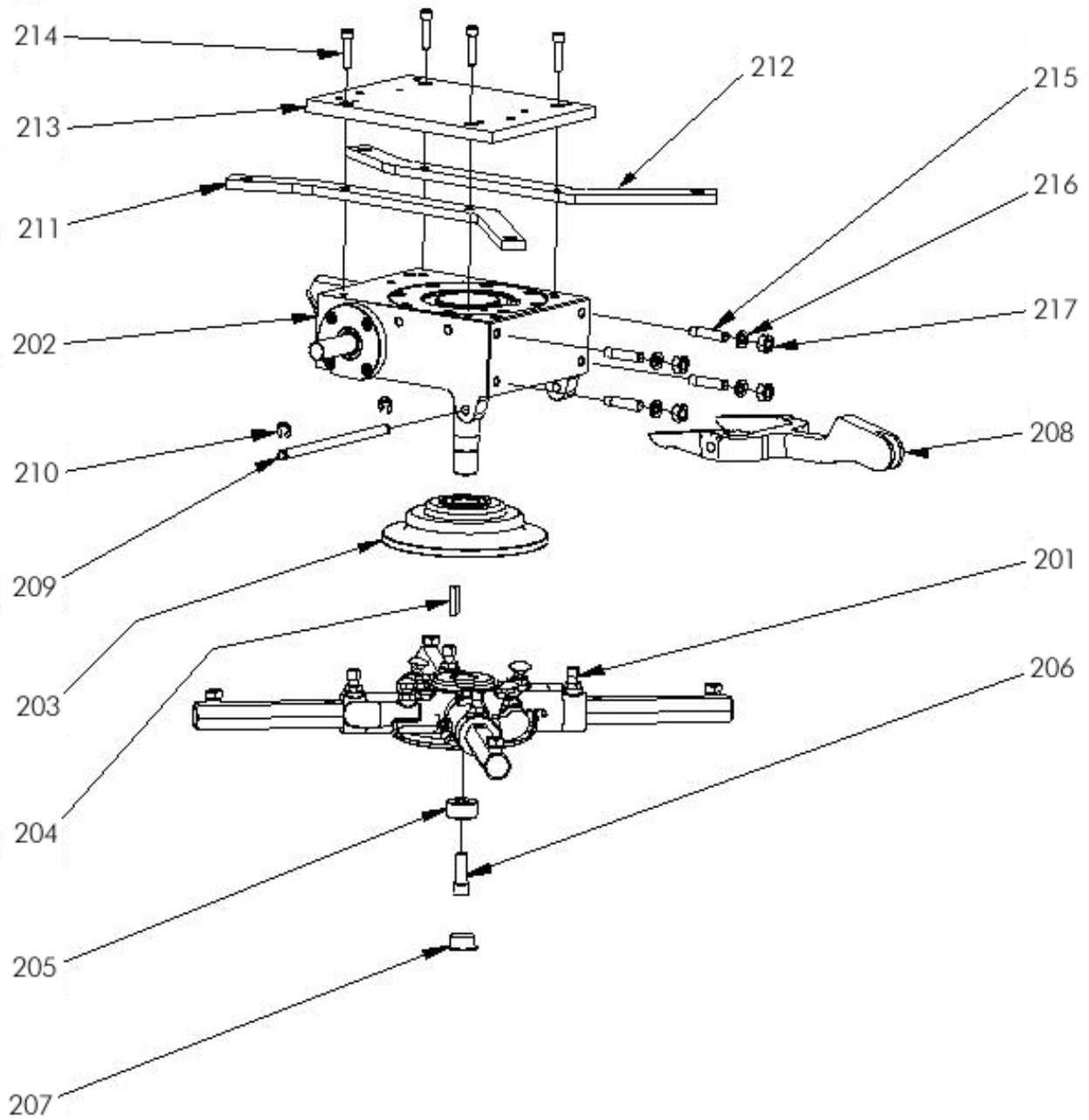
WALK-BEHIND TROWELS

GENERAL ASSEMBLY - B436 ELECTRIC

ITEM NO.	PART NO.	DESCRIPTION	QTY.	REMARK
101	N/A	BASE UNIT	1	6/8/2004
104	20507	HANDLE ASSY	1	8/21/2007
106	50559	ELECTRIC MOTOR, 3HP, 230V, 1PH	4	8/21/2007
107	14278	STUD, MOTOR MOUNT	1	6/8/2004
109	11614	WASHER, LOCK, M8	1	8/16/2007
110	11615	HEX NUT, M8-1.25	1	6/8/2004
111	14517	SHEAVE, MOTOR	4	6/8/2004
115	14285	SHEAVE	1	8/21/2007
116	13597	SQUARE KEY, 3/16"	4	6/8/2004
117	11300	BELT, 4L250	4	6/8/2004
118	21064	BELT GUARD	1	6/8/2004
119	10902	WASHER, LOCK, 3/8"	1	6/8/2004
120	10901	HEX NUT, JAM, 3/8"-16UNC	1	8/16/2007
121	20447	GUARD RING	1	8/16/2007
122	30019	HHCS, 1/2"-13UNC x 1 1/2"LG	1	8/16/2007
123	50026	WASHER, FLAT, 1/2"	1	6/8/2004
124	11296	WASHER, RUBBER, 5/8"	1	8/16/2007
125	10547	NUT, NYLOCK, 1/2"-13UNC	1	8/16/2007
130	51080	STARTER ASSY, 3 HP, 230V, 1PH	1	6/8/2004
131	30031	HHCS, 1/4"-20UNC x 3/4"LG	1	6/8/2004
132	50151	BRACKET, MOTOR & STARTER	1	6/8/2004
133	10521	WASHER, LOCK, 1/4"	4	8/16/2007
134	50636	STRAIN RELIEF	4	6/8/2004
135	50637	LOCK NUT, STRAIN RELIEF	8	6/8/2004
136	11741	MOTOR MOUNT PLATE	4	6/8/2004
137	50529	FHSCS, 5/16"-18UNC x 1 1/4"LG	1	8/16/2007
999	51085	FUSE, TIME DELAY, 3/10 AMP (not shown)	1	6/8/2004

PARTS LIST 2 WALK-BEHIND TROWELS

BASE UNIT ASSEMBLY



PARTS LIST 2

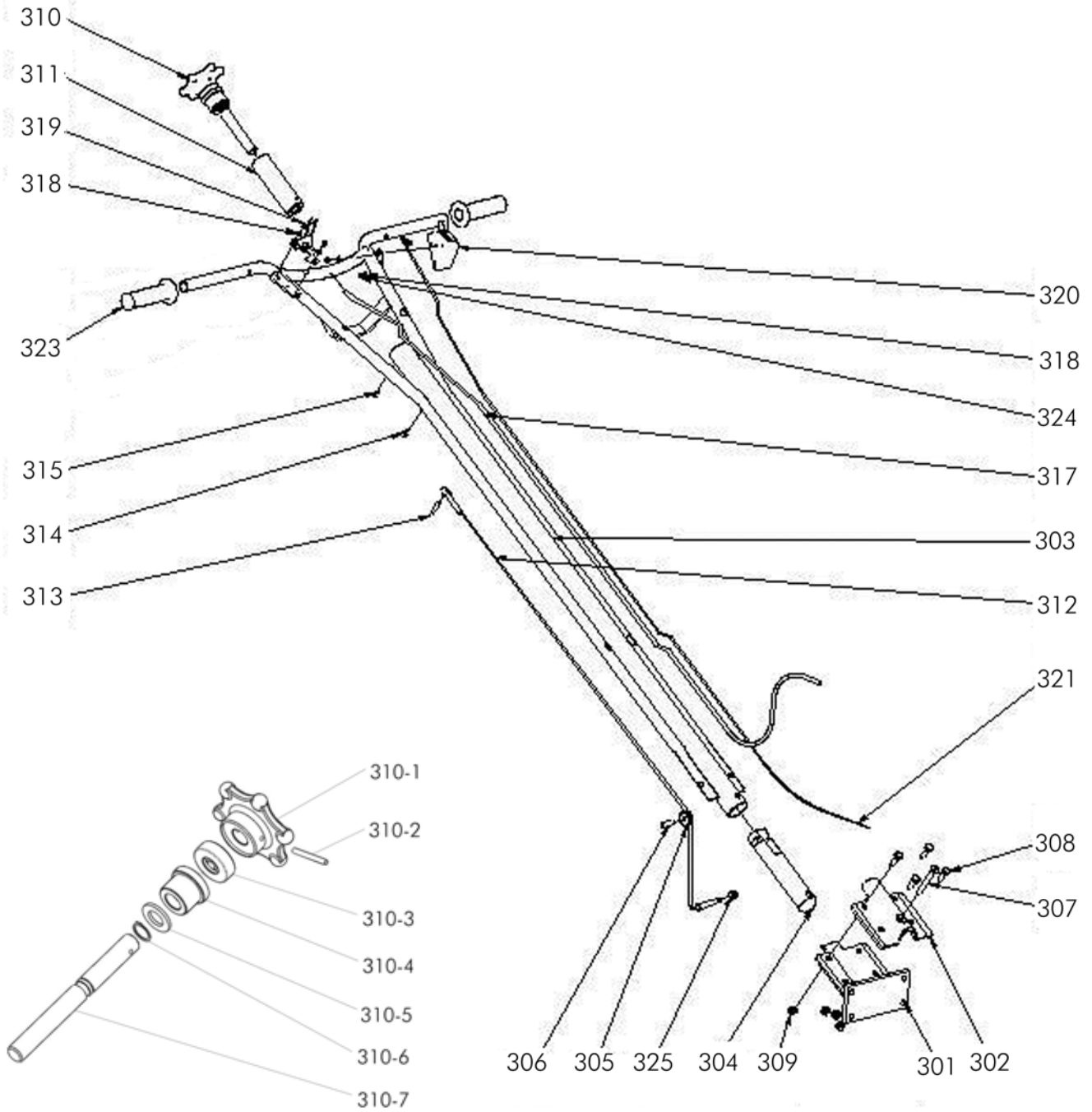
WALK-BEHIND TROWELS

BASE UNIT ASSEMBLY - B436, B436E, B436SD

ITEM NO.	PART NO.	DESCRIPTION	QTY.	REMARK
201	20810	SPIDER PLATE ASSY (SEE PARTS LIST 5)	1	5/1/2004
202	20921 20943	GEARBOX ASSY, B436, B436E (SEE PARTS LIST 4) GEARBOX ASSY, B436SD	1	4/7/1998 4/7/1998
203	20627	PRESSURE PLATE ASSY (SEE PARTS LIST 5)	1	1/1/1997
204	10608	KEY, 1/4"SQ x 1-5/32"LG	1	5/1/2002
205	10814	SPIDER PLATE RETAINER	1	1/1/1997
206	10812	SHCS, 7/16"-14UNCx1 1/4"LG	1	1/1/1997
207	10823	CAP PLUG EC-12	1	1/1/1997
208	10312	YOKE ARM	1	3/1/2004
209	10923	YOKE PIN	1	1/1/1997
210	10922	RETAINING RING, E TYPE, 3/8" DIA	2	1/1/1997
211	14495	MOUNTING RAIL, LH	1	7/23/2008
212	14274	MOUNTING RAIL, RH	1	9/16/2003
213	14273	ENGINE MOUNTING PLATE	1	9/16/2003
214	13585	SHCS, 5/16"-18UNCx1"LG	4	9/16/2003
215	10910	STUD, 3/8"-16 x 1-3/4"LG	4	1/1/1997
216	10902	WASHER, LOCK, 3/8" DIA, MEDIUM	4	1/1/1997
217	10901	HEX NUT, 3/8"-16UNC	4	1/1/1997

PARTS LIST 3 WALK-BEHIND TROWELS

HANDLE ASSEMBLY - FINE PITCH



PARTS LIST 3

WALK-BEHIND TROWELS

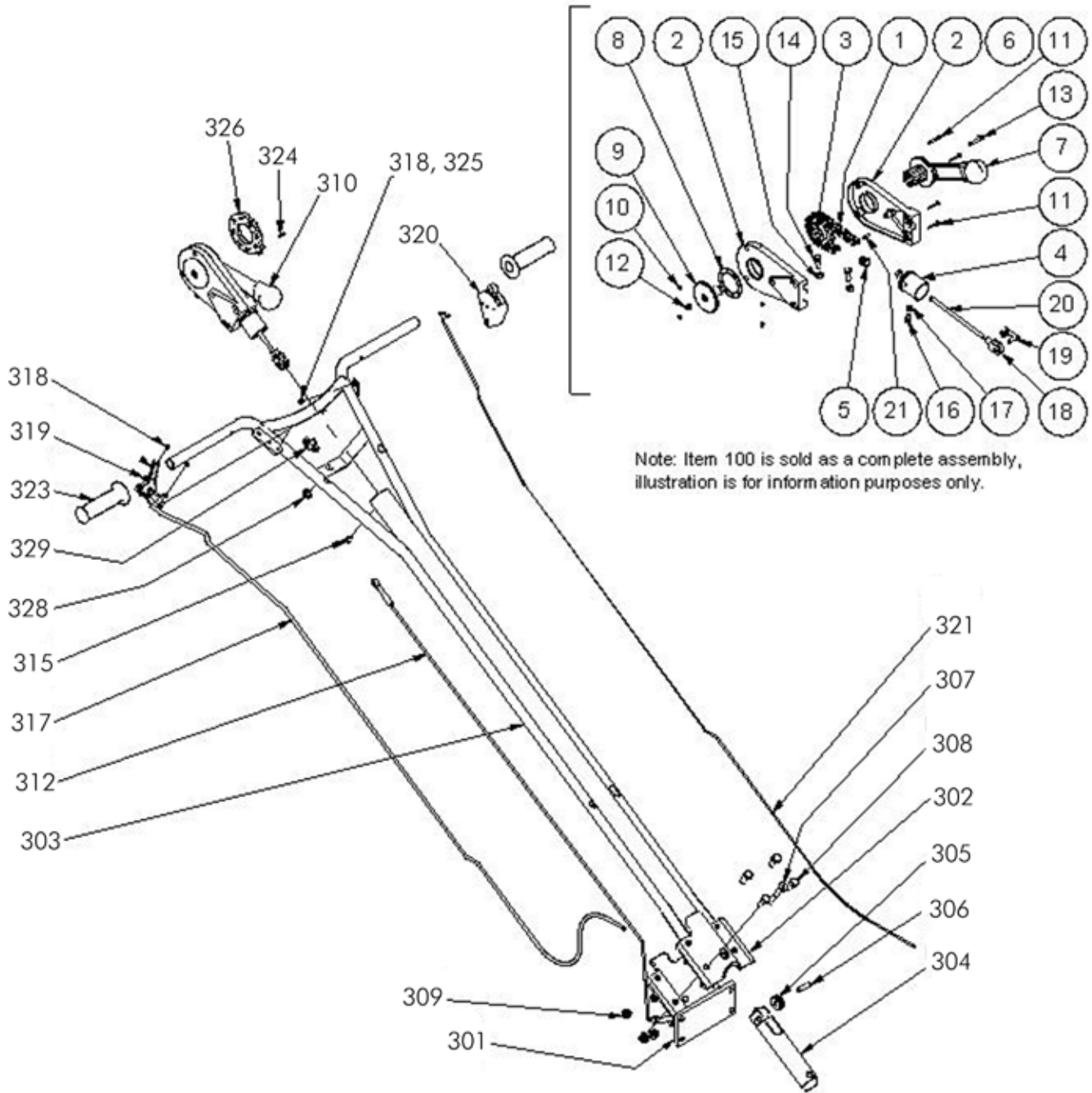
HANDLE ASSEMBLY - 20520/20610 FINE PITCH

ITEM NO.	PART NO.		DESCRIPTION	QTY.	REMARK	
	20520	20610			20520	20610
301	20517	21701	HANDLE BRACKET	1	1/1/1997	9/27/2007
302	10518	21702	HANDLE CLAMP	1	1/1/1997	9/27/2007
303	20519	21703	HANDLE TUBE	1	1/1/1997	9/27/2007
304	10516	21704	SUPPORT BLOCK	1	1/1/1997	9/27/2007
305	10515	21705	PULLEY	1	1/1/1997	9/27/2007
306	10514	21706	DOWEL PIN	1	1/1/1997	9/27/2007
307	10538	13350	HHCS 3/8-16 x2 1/4"LG	1	1/1/1997	9/27/2007
308	10507	10889	HHCS 3/8-16 x 1"LG	4	1/1/1997	9/27/2007
309	10317	11802	LOCK NUT 3/8-16UNC, NYLOCK	6	1/1/1997	9/27/2007
310	20302	21714	HAND KNOB ASSEMBLY	1	1/1/1997	9/27/2007
310-1	10301	21707	HAND KNOB	1	1/1/1997	9/27/2007
310-2	10302	21708	SPRING PIN	1	1/1/1997	9/27/2007
310-3	10304	21709	THRUST BEARING	1	1/1/1997	9/27/2007
310-4	10313	21710	BUSHING	1	1/1/1997	9/27/2007
310-5	10306	21711	WASHER	1	1/1/1997	9/27/2007
310-6	10307	21712	RETAINING RING	1	1/1/1997	9/27/2007
310-7	10303	21713	SCREW SHAFT	1	1/1/1997	9/27/2007
311	10314	21715	SLIDE BUSHING	1	1/1/1997	9/27/2007
312	20321	21716	PITCH CONTROL CABLE	1	1/1/1997	9/27/2007
313	10309	21724	PIN 3/16"DIA x 1-1/2"LG	1	1/1/1997	9/27/2007
314	10522	21725	SHCS 1/4-20 x 1/4"LG	1	1/1/1997	9/27/2007
315	10511	21726	RHMS 1/4-20 x 3/8"LG	1	1/1/1997	9/27/2007
317	10508		THROTTLE CABLE ASSY C/W LEVER	1	1/1/1997	9/27/2007
318	10703		WASHER LOCK, #10 INTERNAL STAR	4	1/1/1997	9/27/2007
319	10513	21728	RHMS #10-24 x 1/4"LG	2	1/1/1997	9/27/2007
320	20713	21729	SAFETY SWITCH ASSY	1	2/26/2002	9/27/2007
321	20702		WIRE ASSY	1	1/1/1997	9/27/2007
323	10509	21717	HANDLE GRIP	1	1/1/1997	9/27/2007
324	10711		HHCS M5-0.8 x 12MM LG	2	4/2/2008	9/27/2007
325	10901	10317	HEX NUT 3/8-16UNC	1	1/1/1997	9/27/2007

Note: 20610 replaced 20520 in September 2007.

PARTS LIST 4 WALK-BEHIND TROWELS

HANDLE ASSEMBLY - INSTAPITCH



PARTS LIST 3

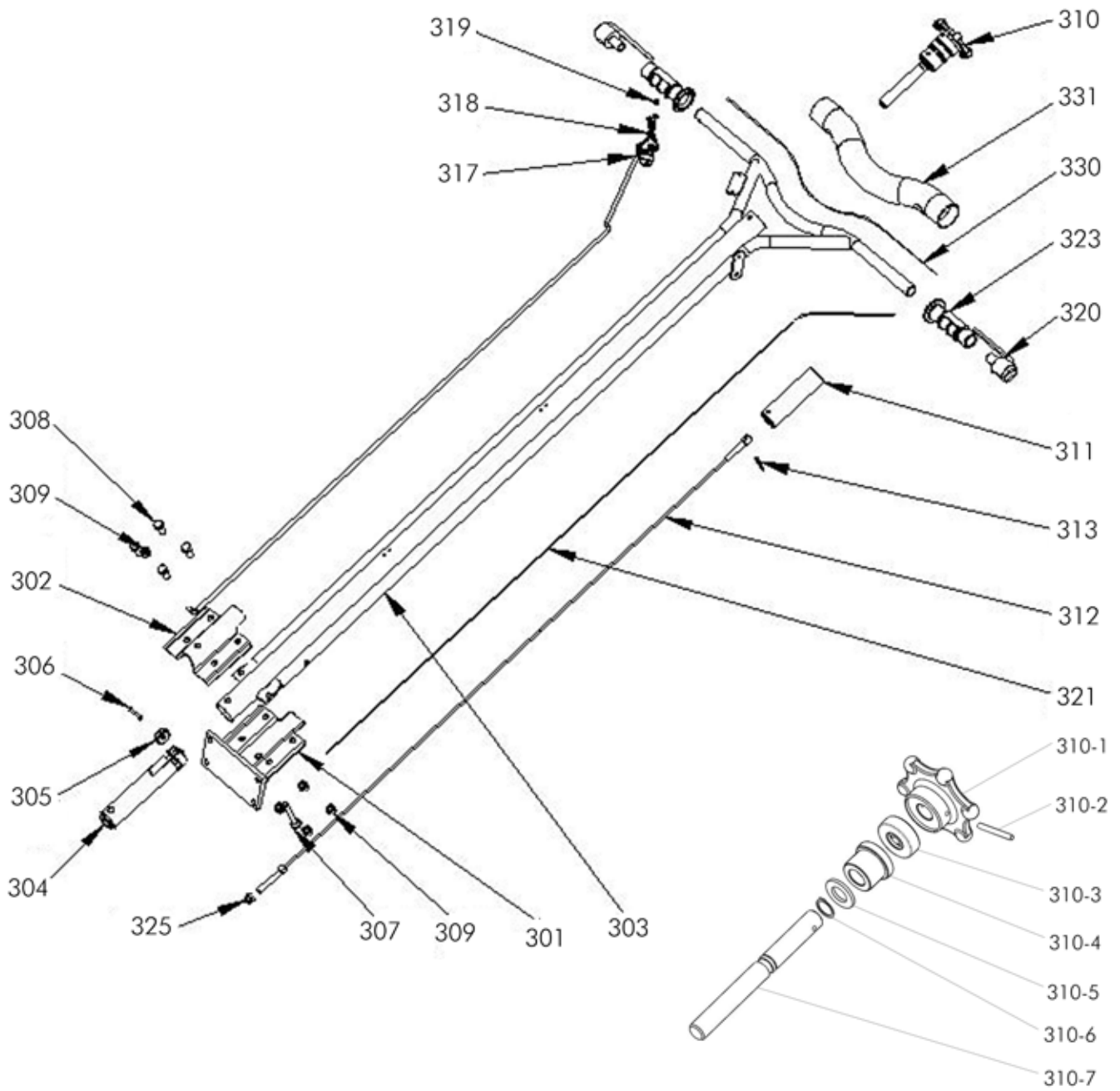
WALK-BEHIND TROWELS

HANDLE ASSEMBLY - 20502 INSTAPITCH

ITEM NO.	PART NO.	DESCRIPTION	QTY.	REMARK
301	20518	HANDLE BRACKET	1	1/1/1997
302	10505	HANDLE CLAMP	1	1/1/1997
303	11510	HANDLE TUBE, INSTAPITCH	1	1/1/1997
304	10503	SUPPORT BLOCK	1	1/1/1997
305	10515	CABLE PULLEY	1	1/1/1997
306	10514	DOWEL PIN	1	1/1/1997
307	11583	FHCS 3/8-16 x 3"LG	1	1/1/1997
308	10507	HHCS 3/8-16 x 1"LG, Gr5	4	1/1/1997
309	10317	LOCK NUT 3/8"-16UNC, NYLOCK	5	1/1/1997
310	14478	INSTAPITCH ADJUST LEVER	1	1/1/1997
312	11539	PITCH ADJUST CABLE	1	1/1/1997
315	10511	RHMS 1/4-20 x 3/8"LG, SLOTTED	1	1/1/1997
317	10508	THROTTLE CABLE C/W LEVER	1	1/1/1997
318	10703	WASHER, LOCK, #10 INTERNAL TOOTH	4	1/1/1997
319	10513	RHMS #10-24 x 1/4"LG	6	1/1/1997
320	20713	SAFETY SWITCH ASSY	1	1/1/1997
321	20702	WIRE ASSEMBLY	1	1/1/1997
323	10509	HANDLE GRIPS	2	1/1/1997
324	12469	CLEVIS PIN 3/16"DIA x 5/8"LG	1	2/7/2006
325	10711	HHCS M5-0.8 x 12MM LG	2	4/2/2008
326	15321	LATCH DISC, INSTAPITCH	1	3/3/2009
328	10919	WASHER, FLAT, 5/16" DIA.	1	1/1/1997
329	50062	STOP SWITCH	1	1/1/1997

PARTS LIST 5 WALK-BEHIND TROWELS

HANDLE ASSEMBLY - EUROPEAN



PARTS LIST 3

WALK-BEHIND TROWELS

HANDLE ASSEMBLY - 20601E/20612 EUROPEAN SPEC.

ITEM NO.	PART NO.		DESCRIPTION	QTY.	REMARK	
	20601E	20612			20601E	20612
301	20518		HANDLE BRACKET	1	08/20/2007	1/17/2008
302	10505		HANDLE CLAMP	1	08/20/2007	1/17/2008
303	20563	21718	HANDLE TUBE	1	08/20/2007	1/17/2008
304	10503	21719	SUPPORT BLOCK	1	08/20/2007	1/17/2008
305	10515	21705	PULLEY	1	08/20/2007	1/17/2008
306	10514	21706	DOWEL PIN	1	08/20/2007	1/17/2008
307	20539		FHCS, M10-1.5 x 70MM	1	08/20/2007	1/17/2008
308	13348		HHCS, M10-1.5 x 25MM	4	08/20/2007	1/17/2008
309	11802		LOCK NUT, M10-1.5, NYLOCK	5	08/20/2007	1/17/2008
310	20301	21720	HAND KNOB ASSEMBLY	1	08/20/2007	1/17/2008
310-1	10301	21707	HAND KNOB	1	08/20/2007	1/17/2008
310-2	10302	21708	SPRING PIN	1	08/20/2007	1/17/2008
310-3	10304	21709	THRUST BEARING	1	08/20/2007	1/17/2008
310-4	10305	21731	BUSHING	1	08/20/2007	1/17/2008
310-5	10306	21711	WASHER	1	08/20/2007	1/17/2008
310-6	10307	21712	RETAINING RING	1	08/20/2007	1/17/2008
310-7	10303	21713	SCREW SHAFT	1	08/20/2007	1/17/2008
311	10308	21722	SLIDE BUSHING	1	08/20/2007	1/17/2008
312	20323	21723	PITCH CONTROL CABLE	1	08/20/2007	1/17/2008
313	10309	21724	SPRING PIN	1	08/20/2007	1/17/2008
317	10508		THROTTLE CABLE ASSY C/W LEVER	1	08/20/2007	1/17/2008
318	10703		WASHER, LOCK, #10 DIA, INTERNAL STAR	2	08/20/2007	1/17/2008
319	10513	21728	RHMS, #10-24UNCX1/4"LG	2	08/20/2007	1/17/2008
320	11643	21729	SAFETY SWITCH	2	08/20/2007	1/17/2008
321	20702		WIRE ASSEMBLY, 93" EURO	1	08/20/2007	1/17/2008
323	11641	21717	HANDLE GRIP	2	08/20/2007	1/17/2008
325	10317		NYLOCK NUT, 3/8"-16UNC	1	08/20/2007	1/17/2008
330	20515	21727	WIRE ASSEMBLY, 27" EURO	1	08/20/2007	1/17/2008
331	14302	21721	HANDLE SHIELD PAD	1	08/20/2007	1/17/2008

Note: 20612 replaced 20601E in January 2008

PARTS LIST 3

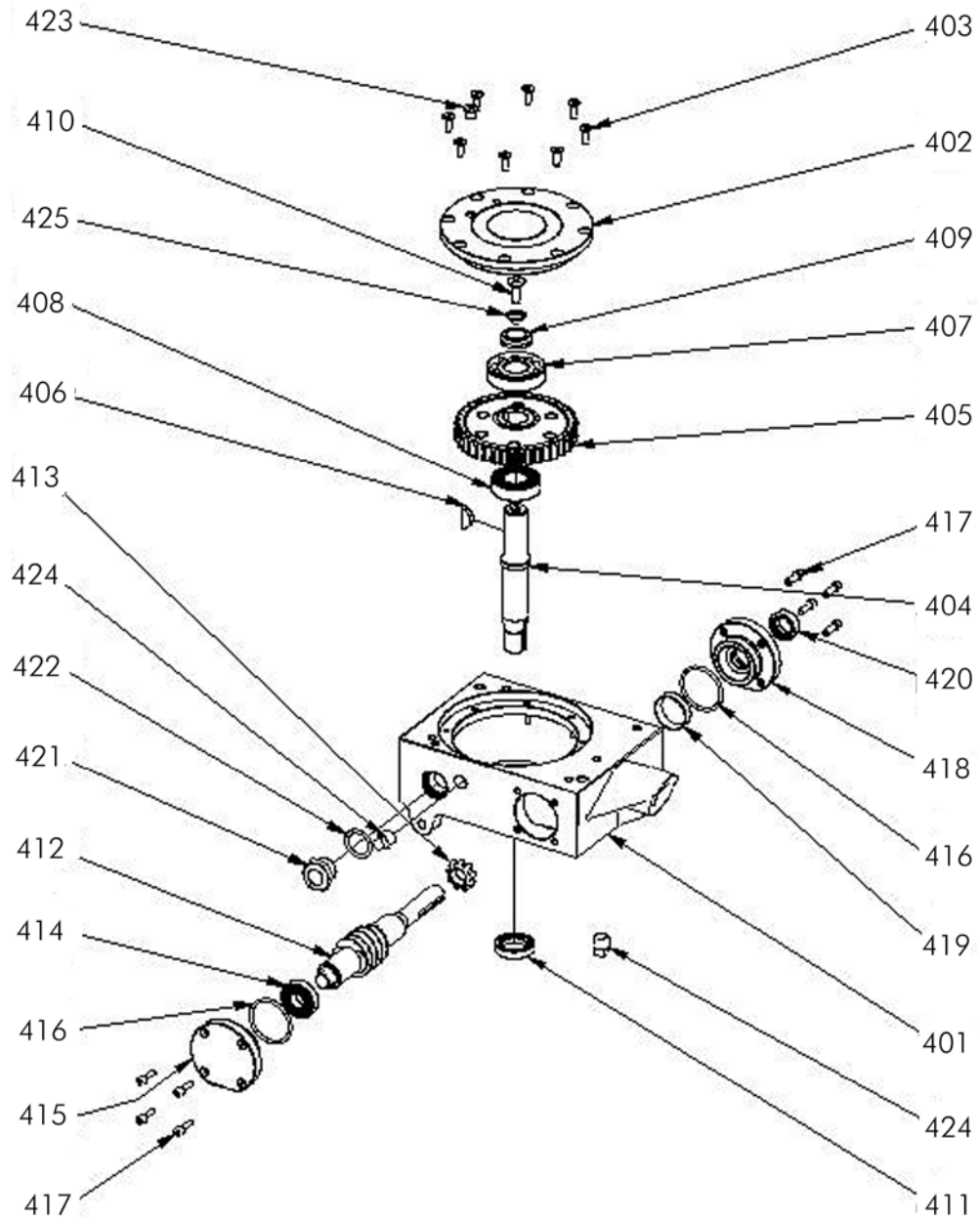
WALK-BEHIND TROWELS

HANDLE ASSEMBLY - 20507 ELECTRIC

ITEM NO.	PART NO.	DESCRIPTION	QTY.	REMARK
301	20517	HANDLE BRACKET	1	11/15/2007
302	10518	HADLE CLAMP	1	11/15/2007
303	20519	HANDLE TUBE	1	11/15/2007
304	10516	SUPPORT BLOCK	1	11/15/2007
305	10515	PULLEY	1	11/15/2007
306	10514	DOWEL PIN	1	11/15/2007
307	10538	HHCS, 3/8"-16UNC x 2-1/4"LG	1	11/15/2007
308	10507	HHCS, 3/8"16UNC x 1"LG	4	11/15/2007
309	10317	LOCK NUT, 3/8"-16UNC, NYLOCK	6	11/15/2007
310	20302	HAND KNOB ASSEMBLY	1	11/15/2007
310-1	10301	HAND KNOB	1	11/15/2007
310-2	10302	SPRING PIN	1	11/15/2007
310-3	10304	THRUST BEARING	1	11/15/2007
310-4	10313	BUSHING	1	11/15/2007
310-5	10306	WASHER	1	11/15/2007
310-6	10307	REATINING RING	1	11/15/2007
310-7	10303	SCREW SHAFT	1	11/15/2007
311	10314	SLIDE BUSHING	1	11/15/2007
312	20323	PITCH CONTROL CABLE	1	11/15/2007
313	10315	SPRING PIN	1	11/15/2007
314	10522	SHCS, 1/4"-20UNC x 1/4"LG	1	04/30/2008
315	10511	RHMS, 1/4"-20UNC x 1/4"LG, SLOTTED	1	11/15/2007
319	10513	RHMS, #10-24UNC x 1/4"LG, SLOTTED	2	11/15/2007
320	11850	SAFETY SWITCH ASSY	1	04/30/2008
321	50638	WIRE ASSEMBLY W PLUG	1	11/15/2007
324	10509	HANDLE GRIP	1	11/15/2007
325	10317	LOCK NUT, 3/8"-16UNC, NYLOCK	1	11/15/2007
331	14302	HANDLE SHIELD PAD	1	11/15/2007
332	10669	HANDLE GRIP	1	11/15/2007
333	50097	SWITCH ASSEMBLY, ON/OFF PUSH BUTTON	1	11/15/2007
334	20594	MOUNTING BRACKET	1	11/15/2007
335	50149	RHMS, #6-32UNC x 3/8"LG, CROSS	4	11/15/2007

PARTS LIST 6 WALK-BEHIND TROWELS

GEARBOX ASSEMBLY



PARTS LIST 4

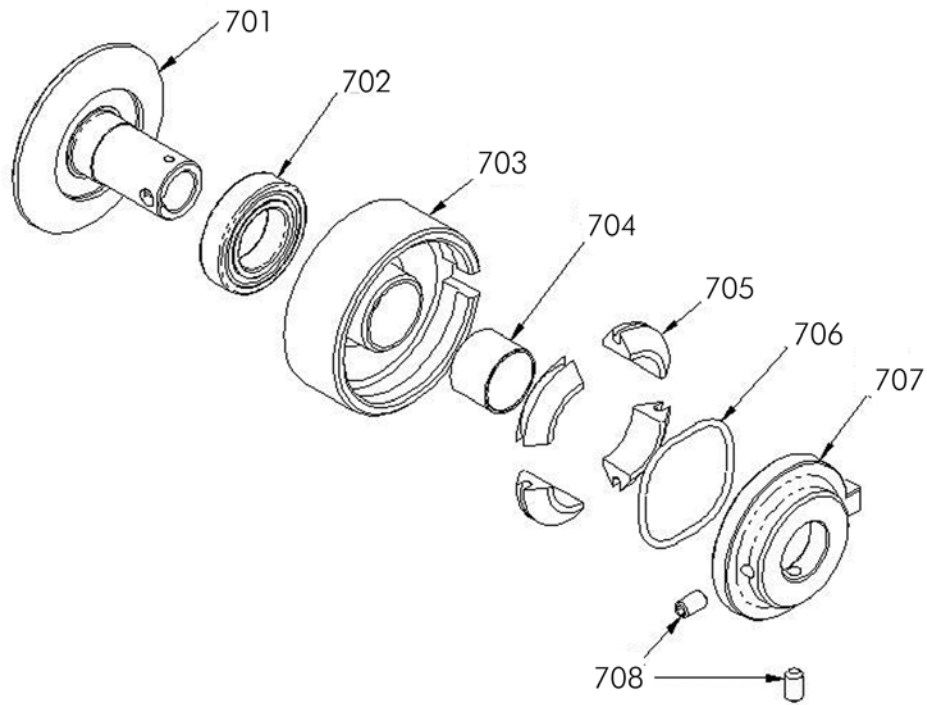
WALK-BEHIND TROWELS

GEARBOX ASSEMBLY - 20921, 20943

ITEM NO.	PART NO.	DESCRIPTION	QTY.	REMARK
401	10921	GEAR HOUSING	1	5/1/2004
402	10917	GEARBOX COVER	1	1/1/1997
403	10916	FHSCS, 1/4-20 x 3/4"LG	8	5/1/2002
404	10618	MAIN SHAFT	1	4/7/1998
405	10616 10634	MAIN GEAR MAIN GEAR, SLOW DRIVE (20943)	1	1/1/1997
406	10615	KEY, WOODRUFF	1	1/1/1997
407	10614	TAPER BEARING, 4T-30305	1	3/1/2004
408	10617	BEARING, 6205	1	1/1/1997
409	10613	PRESSURE WASHER	2	1/1/1997
410	10601	FHSCS, 3/8-16 x 1"LG	8	1/1/1997
411	10677	OIL SEAL, 1 1/16"ID x 1 5/8"OD x 5/16"THK, EPDM	1	1/1/1997
412	10279 20248	COUNTERSHAFT COUNTERSHAFT, SLOW DRIVE (20943)	1	1/1/1997
413	10220	BEARING CONE, 4T-6075	1	9/16/2003
414	10224	BEARING, 6203	1	9/16/2003
415	10226	END CAP	1	9/16/2003
416	10227	O-RING, #224, EPDM	2	1/1/1997
417	10213	SHCS, 1/4-20 x 3/4"LG, ZINC PLATED	8	1/1/1997
418	10217	FLANGE	1	1/1/1997
419	10219	BEARING CUP, 4T-6157	1	1/1/1997
420	10678	OIL SEAL, 3/4"ID x 1-1/4"OD x 3/8"THK, EPDM	1	1/1/1997
421	10930	SIGHT PLUG	1	1/1/1997
422	10931	O-RING, #213, EPDM	1	1/1/1997
423	10909	RELIEF VALVE	1	1/1/1997
424	10911	PIPE PLUG, 3/8 NPT	2	1/1/1997
425	10637	WASHER, LOCK, 3/8"DIA.	1	2/7/2006

PARTS LIST 4 (continued)

WALK-BEHIND TROWELS



CLUTCH ASSEMBLY - 21006 (3/4" Shaft)

ITEM NO.	PART NO.	DESCRIPTION	QTY.	REMARK
701	11021	Spindle	1	8/21/2007
702	11020	Bearing	1	8/21/2007
703	21022	Drum w/ Bushing	1	8/21/2007
704	11023	Bushing	1	8/21/2007
705	11025	Weight (Shoe)	4	8/21/2007
706	11024	Spring	1	8/21/2007
707	11026	Face Plate	1	8/21/2007
708	50117	Set Screw	2	8/21/2007

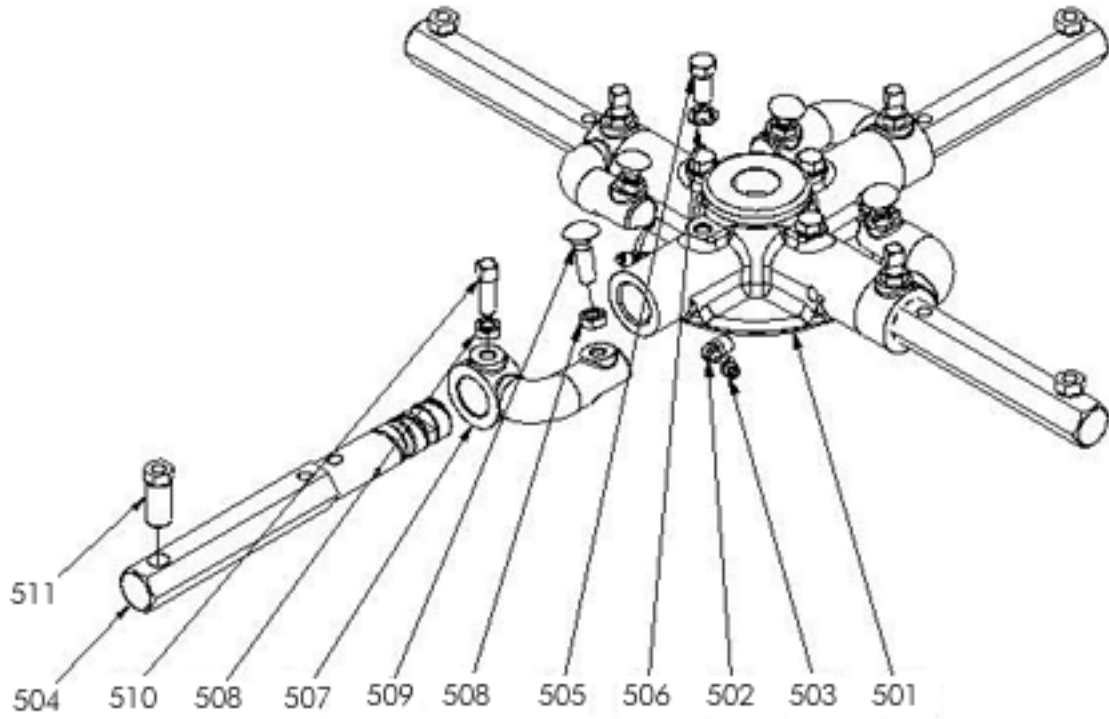
CLUTCH ASSEMBLY - 21005 (1" Shaft)

ITEM NO.	PART NO.	DESCRIPTION	QTY.	REMARK
701	11045	Spindle	1	8/21/2007
702	11044	Bearing	1	8/21/2007
703	21046	Drum w/ Bushing	1	8/21/2007
704	11012	Bushing	1	8/21/2007
705	11014	Weight (Shoe)	4	8/21/2007
706	11013	Spring	1	8/21/2007
707	11015	Face Plate	1	8/21/2007
708	50117	Set Screw	2	8/21/2007

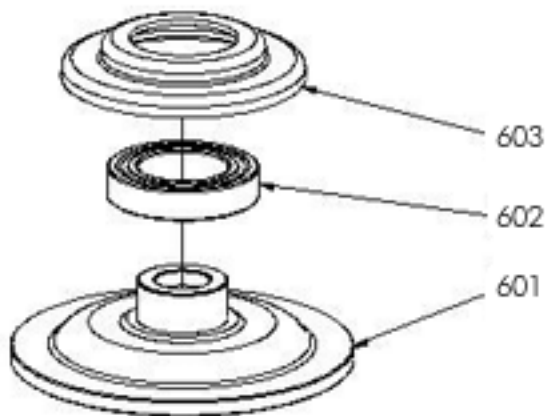
THIS PAGE INTENTIONALLY LEFT BLANK

PARTS LIST 8 WALK-BEHIND TROWELS

SPIDER PLATE ASSEMBLY



PRESSURE PLATE ASSEMBLY



PARTS LIST 5

WALK-BEHIND TROWELS

SPIDER PLATE ASSEMBLY - 20810

ITEM NO.	PART NO.	DESCRIPTION	QTY.	REMARK
501	10810	Grease Spider Plate	1	1/1/1997
502	10801	Grease Fitting, 1/8npt x 65 °	4	1/1/1997
503	10822	Cap plug, Grease Nipple, Red	4	1/1/1997
504	10411	Trowel Arm	4	9/5/2000
505	10806	HHCS, 3/8-16 x 7/8"LG	4	1/1/1997
506	10805	Lock Washer, 3/8"Dia	4	1/1/1997
507	10817	Lift Lever	4	9/12/2000
508	10808	Jam Nut, 3/8-16	8	1/1/1997
509	10807	Carriage Bolt, 3/8-16 x 1-1/4"LG	4	1/1/1997
510	10809	SHSS, 3/8-16 x 1"LG, CUP PT.	4	1/1/1997
511	10404	Adjusting Screw, 1-1/4"LG	4	1/1/1997

PRESSURE PLATE ASSEMBLY - 20627

ITEM NO.	PART NO.	DESCRIPTION	QTY.	REMARK
601	10660	Pressure Plate	1	1/1/1997
602	10664	Thrust Bearing P/P	1	1/1/1997
603	10668	Pressure Plate Cap	1	12/6/2002



BARTELL MORRISON INC.

375 Annagem Blvd.
Mississauga, Ontario, Canada
L5T3A7

Toll Free: 866-501-1683

Local: 905-364-4200

Fax: 905-364-4202

www.bartellmorrison.com

BARTELL MORRISON (USA) LLC.

12 Industrial Drive.
Keyport, New Jersey, USA
07735

Toll Free: 888-999-1570

Local: 732-566-5400

Fax: 732-566-5444

www.bmiamerica.com

