



Bartell Morrison Inc.
375 Annagem Blvd.,
Mississauga, ON, Canada
L5T 2A7
Toll Free (N.A.): 1 866 501 1683
Local: +1 905 364 4200
Fax: +1 905 364 4201

PARTS

MANUAL

WALK-BEHIND

TROWEL

B446



ORIGINAL
LANGUAGE

Doc. # PB-B09002
Orig. Rel. - 05/2010
Curr. Rev. - 02
Rev. Date - 03/2011

Bartell Morrison Inc.
375 Annagem Blvd.
Mississauga, Ontario, Canada
L5T 3A7
Toll Free (N.A.): (866) 501-1683
Phone: (905) 364-4200
Facsimile: (905) 364-4201
www.bartellmorrison.com

Bartell Morrison (USA) LLC
12 Industrial Drive,
Keyport, New Jersey, USA
07735
Toll Free: 888-999-1570
Phone: (732) 566-5400
Facsimile: (732) 566-5444
www.bmiamerica.com

**ORIGINAL LANGUAGE PARTS BOOK FOR
 BARTELL WALK-BEHIND POWER TROWELS**

© 2010 *Bartell Morrison Inc.*

No part of this work may be reproduced or transmitted in any form or by any means, electronic or mechanical, including photocopying and recording, or by any information storage or retrieval system without the prior written permission of Bartell Morrison Inc. unless such copying is permitted by federal copyright laws.

Address inquiries or reference permissions care of:

Bartell Morrison Inc.,
 375 Annagem Blvd.,
 Mississauga, Ontario,
 Canada, L5T 3A7

Revision	Date	Description	Approved by.
00	05/2010	Initial release	RL
01	02/2011	Updated item number references.	RL
02	03/2011	Updated part number in three lists	RL

PARTS BOOK

WALK-BEHIND TROWELS

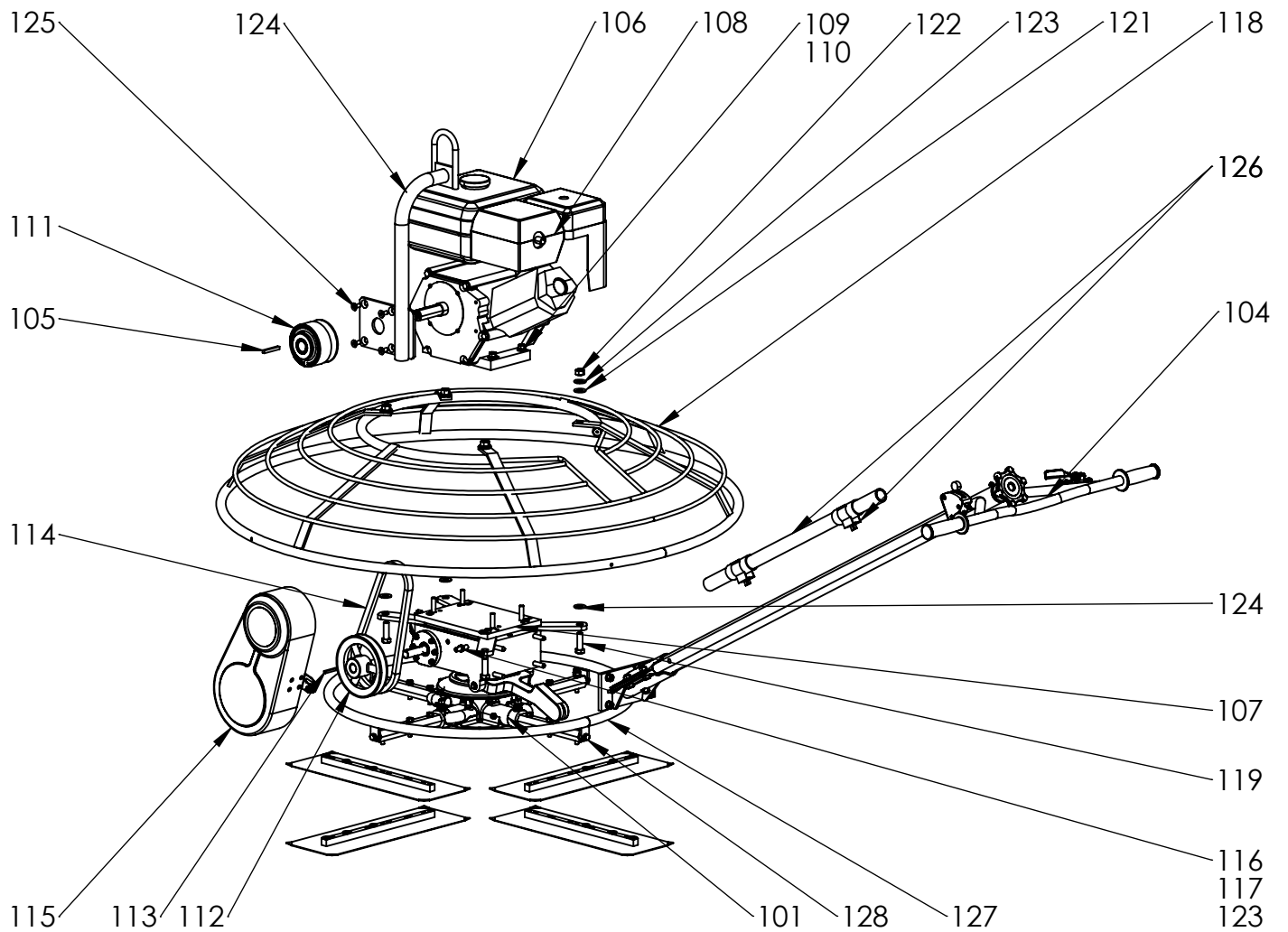
TABLE OF CONTENTS

1. GENERAL ASSEMBLY	4
2. BASE UNIT ASSEMBLY	6
3. HANDLE ASSEMBLY - FINE PITCH	8
4. HANDLE ASSEMBLY - INSTAPITCH	10
5. HANDLE ASSEMBLY - EUROPEAN	12
6. GEARBOX ASSEMBLY	14
7. SPIDER PLATE ASSEMBLY	18
8. PRESSURE PLATE ASSEMBLY	18

PARTS LIST 1

WALK-BEHIND TROWELS

GENERAL ASSEMBLY



PARTS LIST 1

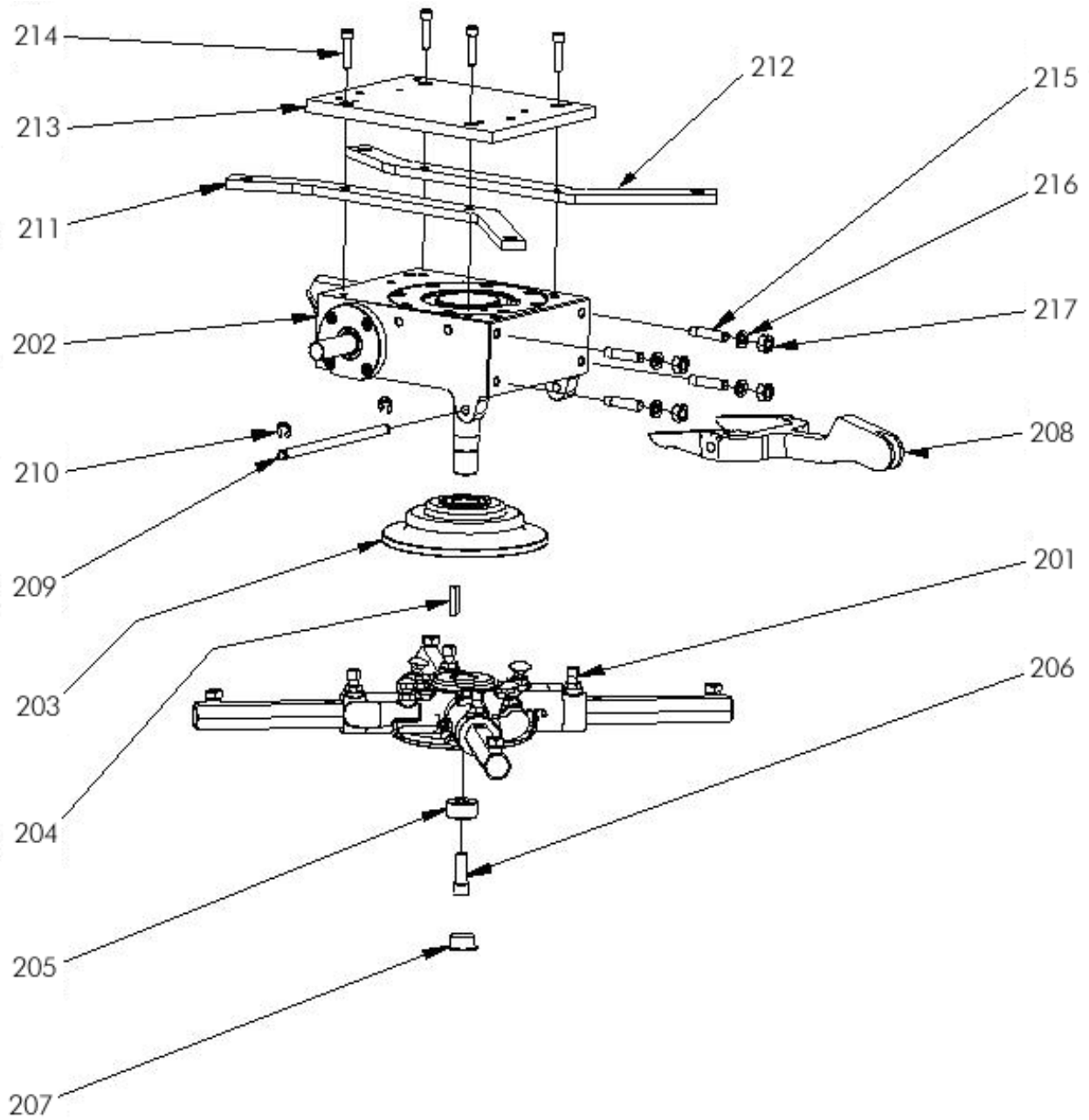
WALK-BEHIND TROWELS

GENERAL ASSEMBLY - B446

ITEM NO.	PART NO.	DESCRIPTION	QTY.	REMARK
101	N/A	BASE UNIT	1	6/8/2004
102	20442	STABILIZER RING	1	8/21/2007
103	10442	SHOULDER BOLT	4	8/21/2007
104	20562 20581 20562E 20611	HANDLE ASSEMBLY, STANDARD HANDLE ASSEMBLY, INSTAPITCH HANDLE ASSEMBLY, EUROPEAN HANDLE ASSEMBLY, EUROPEAN	1	6/8/2004 4/11/2004 BEFORE 1/17/2008 AFTER 1/17/2008
105	11003	SQUARE KEY, 3/16" x 1 7/8"LG	1	8/16/2007
106	ENGINE	ENGINE	1	6/8/2004
107	14277	STUD, ENGINE MOUNT	4	6/8/2004
108	11113	MUFFLER DEFLECTOR	1	8/21/2007
109	10902	WASHER, LOCK, 5/16"	4	6/8/2004
110	10901	HEX NUT, 5/16-18UNC, GRADE 5	4	6/8/2004
111	21005	CLUTCH, 3/4" BORE	1	6/8/2004
112	14285	SHEAVE	1	8/16/2007
113	10208	SQUARE KEY, 3/16" x 1 1/2"LG	1	6/8/2004
114	11178	BELT, B29	1	8/16/2007
115	21065	BELT GUARD	1	8/16/2007
116	10902	WASHER, LOCK, 3/8"	1	6/8/2004
117	10901	HEX NUT, JAM, 3/8"-16UNC	1	6/8/2004
118	20448	GUARD RING	1	6/8/2004
119	10955	HHCS, M12-1.75 x 40MM LG	4	8/16/2007
120	50026	WASHER, FLAT, 1/2"	4	6/8/2004
121	11296	WASHER, RUBBER, 5/8"	8	6/8/2004
122	10956	NUT, NYLOCK, M12-1.75	4	6/8/2004
123	11029	STUD, 3/8"-16UNC x 1 3/4"LG	1	8/16/2007
124	20171	HOIST HOOK (optional)	1	6/8/2004
125	30041	FSCS, 5/16"-24UNF x 3/4"LG (optional)	4	6/8/2004
126	20512	CARRY BAR ASSY (optional)	1	6/8/2004
127	20442	STABILIZER RING	1	6/8/2004
128	10442	SHOULDER BOLT	4	6/8/2004

PARTS LIST 2 WALK-BEHIND TROWELS

BASE UNIT ASSEMBLY



PARTS LIST 2

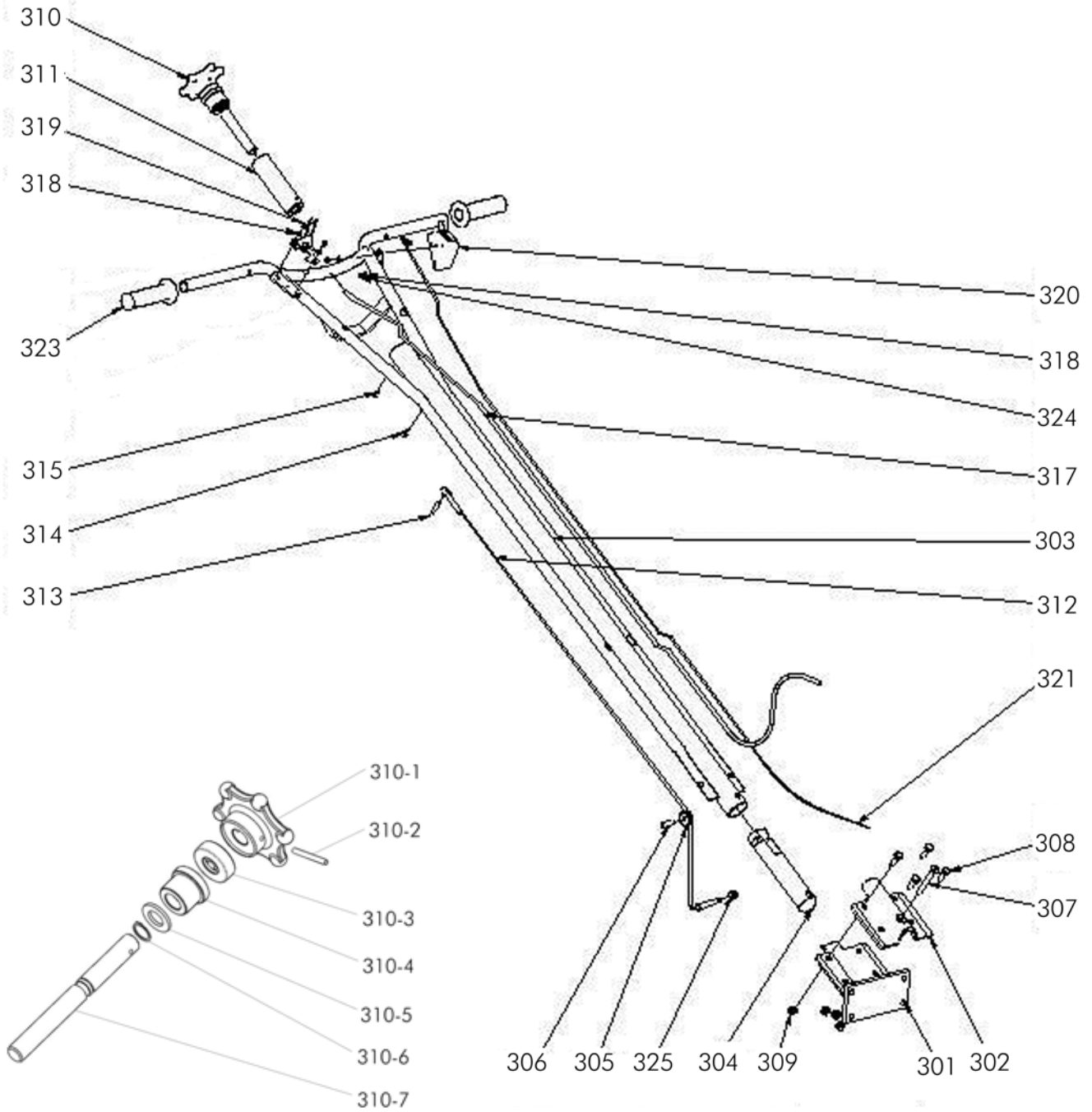
WALK-BEHIND TROWELS

BASE UNIT ASSEMBLY - (B446)

ITEM NO.	PART NO.	DESCRIPTION	QTY.	REMARK
201	20820	SPIDER PLATE ASSEMBLY	1	5/1/2004
202	20928	GEARBOX ASSEMBLY	1	4/7/1998
203	20626	PRESSURE PLATE ASSEMBLY	1	1/1/2002
204	10608	KEY, 1/4"SQ X 1-5/32"LG	1	5/1/2002
205	10804	SPIDER PLATE RETAINER	1	1/1/1997
206	10802	SOCKET HEAD SCREW, RETAINER	1	1/1/1997
207	10823	CAP PLUG EC-12	1	1/1/1997
208	10311	YOKE ARM	1	3/1/2004
209	10914	YOKE PIN	1	1/1/1997
210	10913	RETAINING RING, E TYPE	2	1/1/1997
211	14496	MOUNTING RAIL LH	1	7/23/2008
212	14315	MOUNTING RAIL RH	1	9/16/2003
213	14316	ENGINE MOUNTING PLATE, METRIC	1	9/16/2003
214	14317	SOCKET HEAD SCREW (ENGINE MOUNT PLATE)	4	9/16/2003
215	10910	STUD, 3/8"-16 X 1-3/4"LG	4	1/1/1997
216	10902	LOCK WASHER, 3/8" DIA, MEDIUM	4	1/1/1997
217	10901	HEX NUT, 3/8"-16	4	1/1/1997

PARTS LIST 3 WALK-BEHIND TROWELS

HANDLE ASSEMBLY - FINE PITCH



PARTS LIST 3

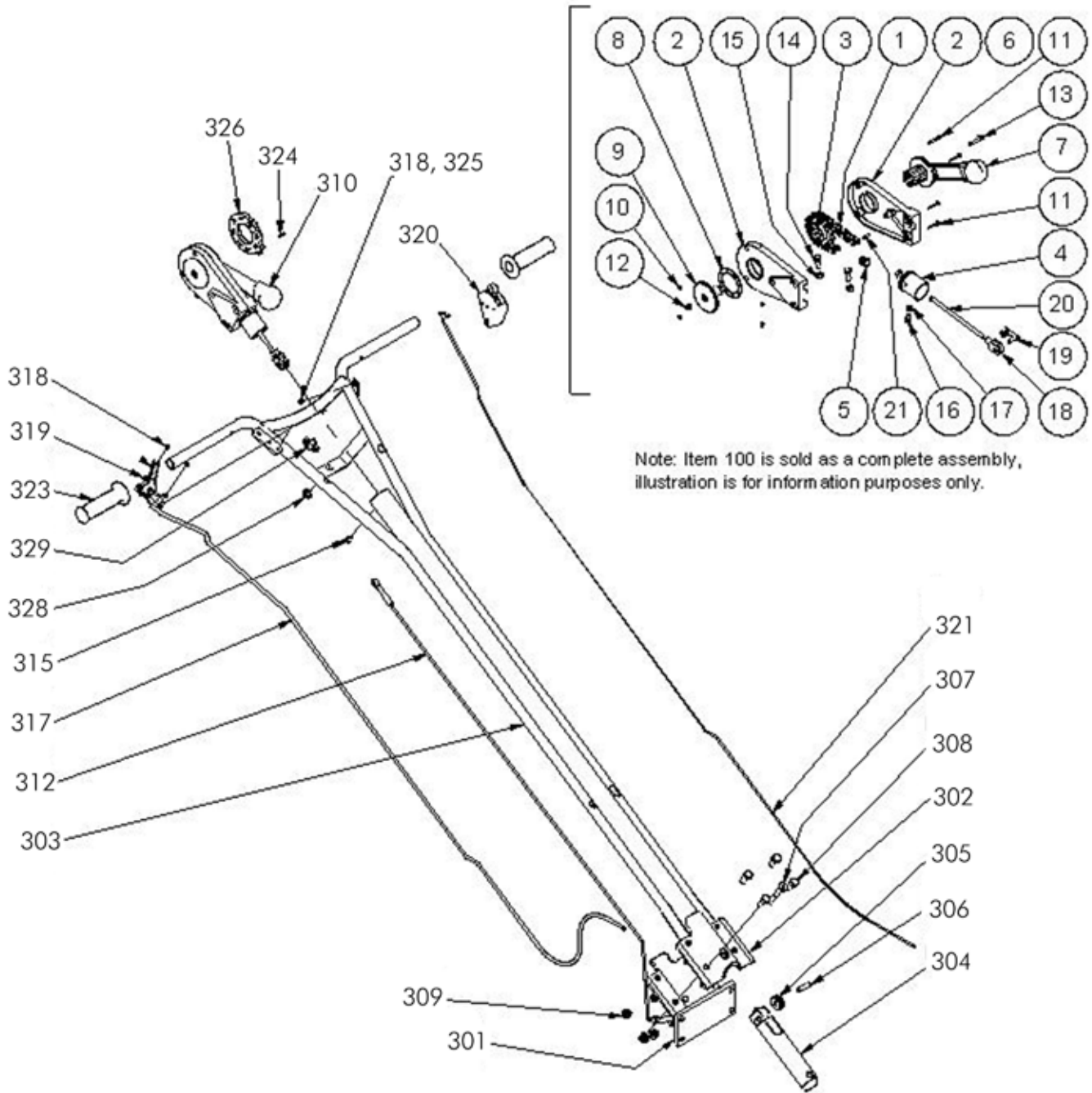
WALK-BEHIND TROWELS

HANDLE ASSEMBLY - 20562

ITEM NO.	PART NO.	DESCRIPTION	QTY.	REMARK
301	20564	HANDLE BRACKET STANDARD	1	1/1/1997
302	10505	HANDLE CLAMP	1	1/1/1997
303	20563	HANDLE TUBE	1	1/1/1997
304	10503	SUPPORT BLOCK	1	1/1/1997
305	10515	PULLEY	1	1/1/1997
306	10514	DOWEL PIN	1	1/1/1997
307	10506	HHCS 3/8-16 x201/4"LG (2-1/2"LG)	1	1/1/1997
308	10507	HHCS 3/8-16 X 1"LG, GR5	4	1/1/1997
309	10317	NYLOCK NUT 3/8-16	6	1/1/1997
310	20301	HAND KNOB ASSEMBLY	1	1/1/1997
311	10314	SLIDE BUSHING	1	1/1/1997
312	20322	CABLE	1	1/1/1997
313	10309	PIN 3/16"DIA X 1-1/2"LG	1	1/1/1997
314	10510	SHCS 1/4-20 x 1/4"LG (3/8"LG)	1	1/1/1997
315	10511	RHMS 1/4-20 x 3/8"LG	1	1/1/1997
317	10508	THROTTLE ASSEMBLY, CABLE C/W LEVER	1	1/1/1997
318	10703	LOCK WASHER, #10 INTERNAL	4	1/1/1997
319	10513	RHMS #10-24 x 1/4"LG	2	1/1/1997
320	20713	SAFETY SWITCH ASSEMBLY	1	2/26/2002
321	20703	WIRE ASSEMBLY	1	1/1/1997
323	10509	HANDLE GRIP	1	1/1/1997
324	10711	HHCS M5-0.8 x 12MM LG	2	4/2/2008
325	10901	HEX NUT 3/8-16	1	1/1/1997

PARTS LIST 4 WALK-BEHIND TROWELS

HANDLE ASSEMBLY - INSTAPITCH



PARTS LIST 4

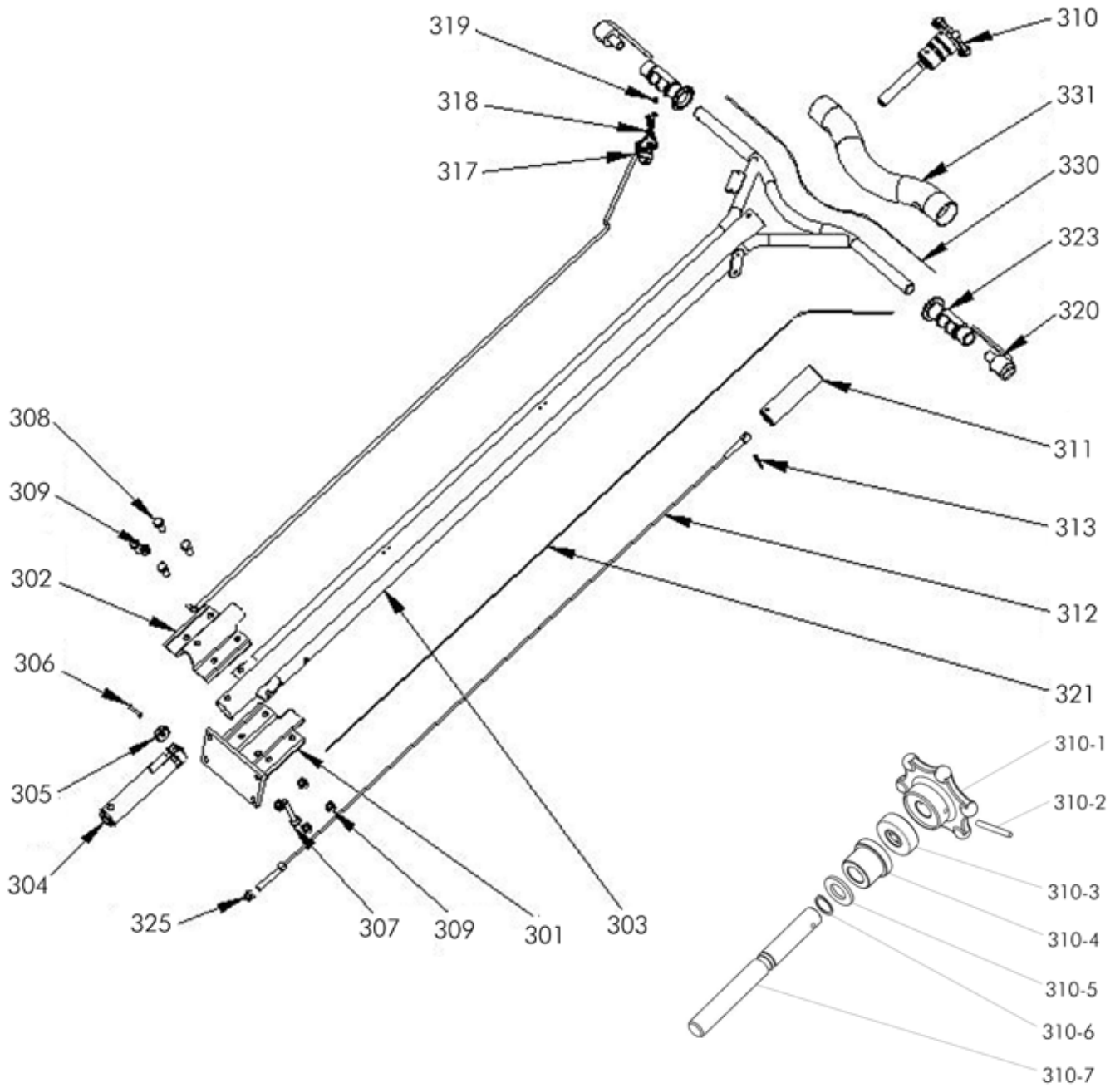
WALK-BEHIND TROWELS

HANDLE ASSEMBLY - 20581 (INSTAPITCH)

ITEM NO.	PART NO.	DESCRIPTION	QTY.	REMARK
301	20564	HANDLE BRACKET	1	1/1/1997
302	10505	HANDLE CLAMP	1	1/1/1997
303	11513	RIGID HANDLE, STANDARD	1	1/1/1997
304	10503	SUPPORT BLOCK	1	1/1/1997
305	10515	CABLE PULLEY	1	1/1/1997
306	10514	DOWEL PIN	1	1/1/1997
307	11506	FHCS 3/8-16 x 3"LG (HHCS 2-1/2"LG)	1	1/1/1997
308	10507	HHCS 3/8-16 X 1"LG, GR5	4	1/1/1997
309	10317	NYLOCK NUT 3/8-16	5	1/1/1997
310	14250	INSTAPITCH ADJUST LEVER	1	1/1/1997
312	20323	PITCH ADJUST CABLE	1	1/1/1997
315	10511	RHMS 1/4-20 X 3/8"LG, SLOTTED	1	1/1/1997
317	10508	THROTTLE ASSEMBLY, CABLE C/W LEVER	1	1/1/1997
318	10703	LOCK WASHER, #10 INTERNAL TOOTH	4	1/1/1997
319	10513	RHMS #10-24 x 1/4"LG	6	1/1/1997
320	20713	SAFETY SWITCH ASSY	1	1/1/1997
321	20703	WIRE ASSEMBLY	1	1/1/1997
323	10509	HANDLE GRIPS	2	1/1/1997
324	12469	CLEVIS PIN 3/16"DIA X 5/8"LG	1	2/7/2006
325	10711	HHCS M5-0.8 x 12MM LG	2	4/2/2008
326	15321	LATCH DISC, INSTAPITCH	1	3/3/2009
328	10901	HEX NUT 3/8-16	1	1/1/1997
329	50062	STOP SWITCH	1	1/1/1997

PARTS LIST 5 WALK-BEHIND TROWELS

HANDLE ASSEMBLY - EUROPEAN



PARTS LIST 5

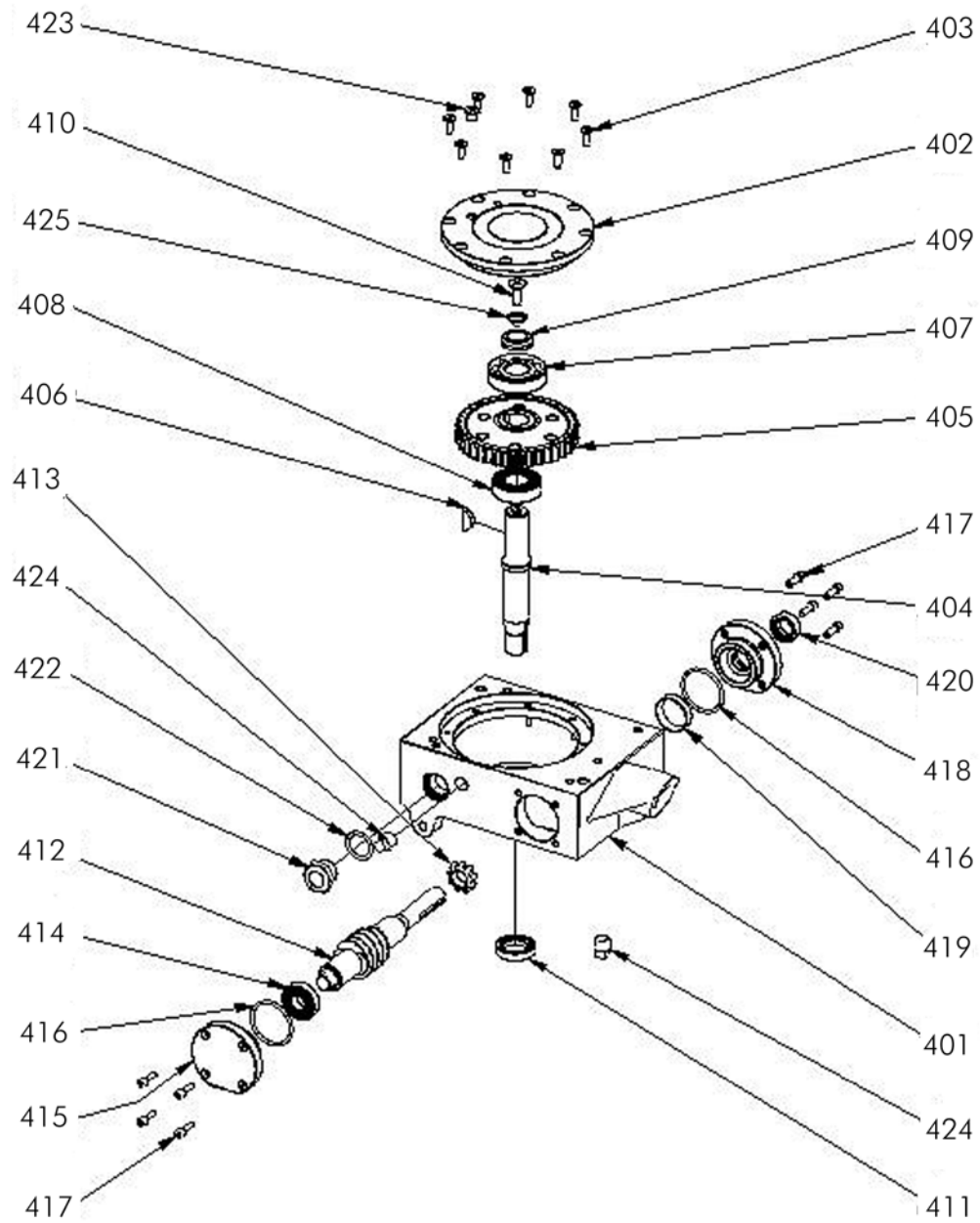
WALK-BEHIND TROWELS

HANDLE ASSEMBLY - 20562E/20611

ITEM NO.	PART NO.		DESCRIPTION	QTY.	REMARK	
	20562E	20611			20562E	20611
301	20564		HANDLE BRACKET	1	8/20/2007	
302	10505		HANDLE CLAMP	1	8/20/2007	
303	20563	21718	HANDLE TUBE	1	8/20/2007	1/14/2008
304	10503	21719	SUPPORT BLOCK	1	8/20/2007	1/14/2008
305	10515	21705	PULLEY	1	8/20/2007	1/14/2008
306	10514	21706	DOWEL PIN	1	8/20/2007	1/14/2008
307	20539		FLAT HD. CAP SCREW, M10-1.5 X 70MM	1	8/20/2007	
308	13348		HEX HD. CAP SCREW, M10-1.5 X 25MM	4	8/20/2007	
309	11802		NYLOCK NUT, M10-1.5	5	8/20/2007	
310	20301	21720	HAND KNOB ASSEMBLY W/BEARINGS	1	8/20/2007	1/14/2008
310-1	10301	21707	HAND KNOB	1	8/20/2007	1/14/2008
310-2	10302	21705	SPRING PIN	1	8/20/2007	1/14/2008
310-3	10304	21709	THRUST BEARING	1	8/20/2007	1/14/2008
310-4	10313	21719	BUSHING	1	8/20/2007	1/14/2008
310-5	10306	21711	WASHER	1	8/20/2007	1/14/2008
310-6	10307	21712	RETAINING RING	1	8/20/2007	1/14/2008
310-7	10303	21713	SCREW SHAFT	1	8/20/2007	1/14/2008
311	10308	21722	SLIDE BUSHING	1	8/20/2007	1/14/2008
312	20322	21723	CABLE, PITCH CONTROL	1	8/20/2007	1/14/2008
313	10309	21724	SPRING PIN	1	8/20/2007	1/14/2008
317	10508		THROTTLE ASSEMBLY, CABLE C/W LEVER	1	8/20/2007	
318	10703		LOCK WASHER, #10 DIA, INTERNAL	2	8/20/2007	
319	10513	21727	ROUND HEAD MACHINE SCREW, #10	2	8/20/2007	1/14/2008
320	11643	21730	DEADMAN LEVER ASSEMBLY	2	8/20/2007	1/14/2008
321	20703		WIRE ASSEMBLY, SAFETY, 93" EURO	1	8/20/2007	
323	11641	21726	HANDLE GRIP, DEADMAN LEVER	2	8/20/2007	1/14/2008
325	10317		NYLOCK NUT, 3/8"-16UNC	1	8/20/2007	
330	20515	21727	WIRE ASSEMBLY, SAFETY, 27" EURO	1	8/20/2007	1/14/2008
331	14302	21721	HANDLE SHIELD PAD	1	8/20/2007	1/14/2008

PARTS LIST 6 WALK-BEHIND TROWELS

GEARBOX ASSEMBLY



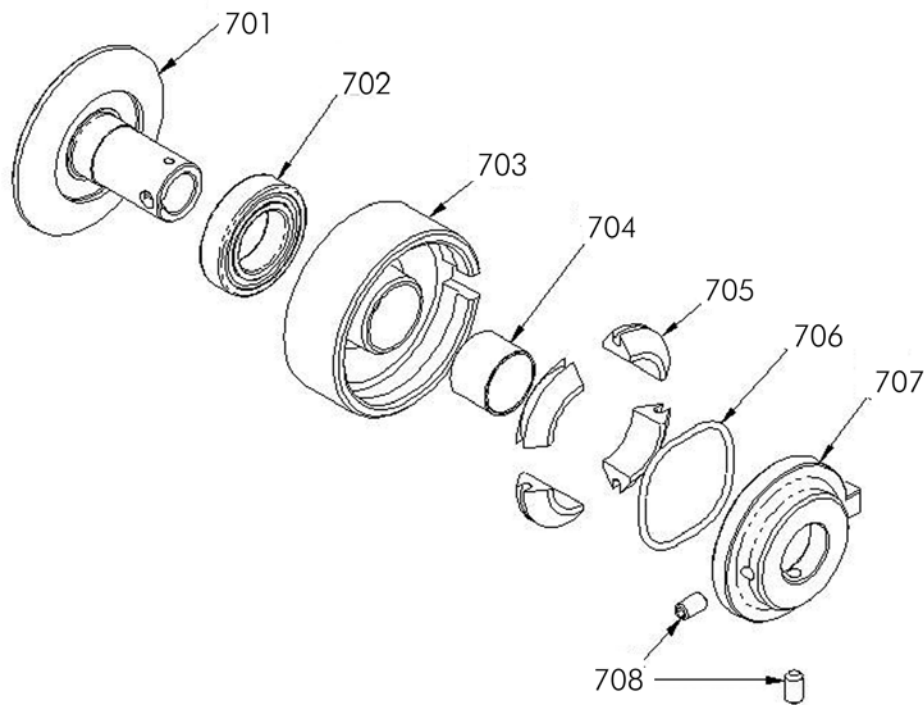
PARTS LIST 6

WALK-BEHIND TROWELS

GEARBOX ASSEMBLY - 20928

ITEM NO.	PART NO.	DESCRIPTION	QTY.	REMARK
401	10928	GEAR HOUSING	1	5/1/2004
402	10929	GEARBOX COVER	1	1/1/1997
403	10903	FHSCS, 1/4-20 x 3/4"LG (5/16-18 x 1"LG)	8	5/1/2002
404	10607	MAIN SHAFT	1	4/7/1998
405	10605	MAIN GEAR	1	1/1/1997
406	10609	WOODRUFF KEY	1	1/1/1997
407	10603	TAPER BEARING, 4T-30305 (4T-30306)	1	3/1/2004
408	14256	BEARING, 6207	1	1/1/1997
409	10613	PRESSURE WASHER	2	1/1/1997
410	10601	FHSCS, 3/8-16 x 1"LG	8	1/1/1997
411	10610	OIL SEAL, 1 3/8"ID x 2.129"OD x 0.437"THK, EPDM	1	1/1/1997
412	10280	WORMSHAFT, RH	1	1/1/1997
413	10229	BEARING CONE, 4T-LM11949V1#BW	1	9/16/2003
414	10203	BALL BEARING, 6303C3T	1	9/16/2003
415	10215	END CAP	1	9/16/2003
416	10228	O-RING, #227, EPDM	2	1/1/1997
417	10213	SHCS, 1/4-20 x 3/4"LG, ZINC PLATED	8	1/1/1997
418	10231	FLANGE	1	1/1/1997
419	10230	BEARING CUP, 4T-LM11910#BW	1	1/1/1997
420	10214	OIL SEAL, 3/4"ID x 1-1/4"OD x 3/8"THK, EPDM	1	1/1/1997
412	10930	SIGHT PLUG	1	1/1/1997
422	10931	O-RING, #213, EPDM	1	1/1/1997
423	10909	RELIEF VALVE	1	1/1/1997
424	10911	PIPE PLUG, 3/8 NPT	2	1/1/1997
425	10637	LOCK WASHER C/S 3/8"DIA	1	2/7/2006

PARTS LIST 7 WALK-BEHIND TROWELS



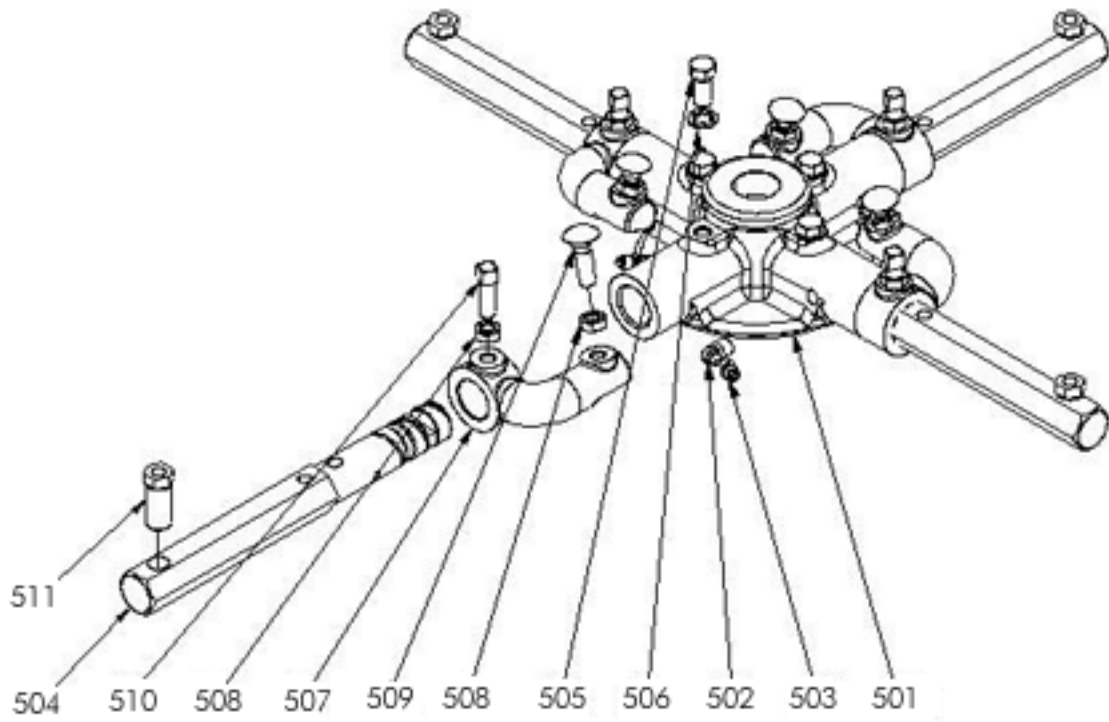
CLUTCH ASSEMBLY - 21005 (1" SHAFT)

ITEM NO.	PART NO.	DESCRIPTION	QTY.	REMARK
701	11045	SPINDLE	1	8/21/2007
702	11044	BEARING	1	8/21/2007
703	21046	DRUM W/ BUSHING	1	8/21/2007
704	11012	BUSHING	1	8/21/2007
705	11014	WEIGHT (SHOE)	4	8/21/2007
706	11013	SPRING	1	8/21/2007
707	11015	FACE PLATE	1	8/21/2007
708	50117	SET SCREW	2	8/21/2007

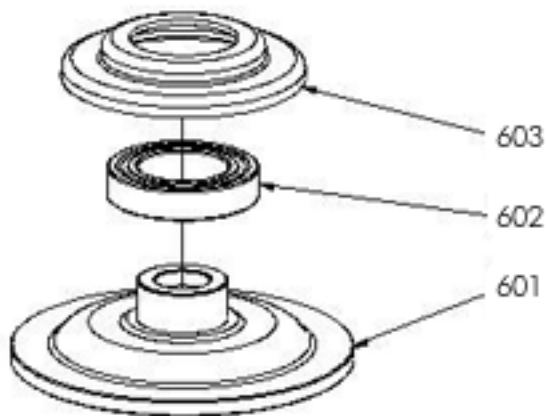
THIS PAGE INTENTIONALLY LEFT BLANK

PARTS LIST 8 WALK-BEHIND TROWELS

SPIDER PLATE ASSEMBLY



PRESSURE PLATE ASSEMBLY



PARTS LIST 8

WALK-BEHIND TROWELS

SPIDER PLATE ASSEMBLY - 20820

ITEM NO.	PART NO.	DESCRIPTION	QTY.	REMARK
501	10820	GREASE SPIDER PLATE	1	1/1/1997
502	10801	GREASE FITTING, 1/8NPT X 65 °	4	1/1/1997
503	10822	CAP PLUG, GREASE NIPPLE, RED	4	1/1/1997
504	10405	TROWEL ARM	4	9/5/2000
505	10806	HHCS, 3/8-16 x 7/8"LG	4	1/1/1997
506	10805	LOCK WASHER, 3/8"DIA	4	1/1/1997
507	10819	LIFT LEVER	4	9/12/2000
508	10808	JAM NUT, 3/8-16	8	1/1/1997
509	10807	CARRIAGE BOLT, 3/8-16 X 1-1/4"LG	4	1/1/1997
510	10809	SHSS, 3/8-16 x 1"LG, CUP PT.	4	1/1/1997
511	10404	ADJUSTING SCREW, 1-1/4"LG	4	1/1/1997

PRESSURE PLATE ASSEMBLY - 20626

ITEM NO.	PART NO.	DESCRIPTION	QTY.	REMARK
601	10659P	LARGE PRESSURE PLATE	1	
602	10663	THRUST BEARING	1	
603	10667	LG PRESSURE PLATE CAP	1	



BARTELL MORRISON INC.

375 Annagem Blvd.
Mississauga, Ontario, Canada
L5T3A7

Toll Free: 866-501-1683

Local: 905-364-4200

Fax: 905-364-4202

www.bartellmorrison.com

BARTELL MORRISON (USA) LLC.

12 Industrial Drive.
Keyport, New Jersey, USA
07735

Toll Free: 888-999-1570

Local: 732-566-5400

Fax: 732-566-5444

www.bmiamerica.com

